

XXX18d ARMAGEDDON D1

Speaker Specification

Power	P	8000/30000*	RMS/SPL
DC resistance	Rdc	0,9 + 0,9	Ω
Nominal impedance	ZN	1,0 + 1,0	Ω
Resonance frequency	fs	33	Hz
Voice coil Diameter		4	inch
Shipping weight		42,5	kg

Mechanical Q factor	Qms	7,19
Electrical Q factor	Qes	0,53
Total Q factor	Qts	0,49

Moving mass	Mms	410,8	g
Effective cone area	Sd	1134	cm ²
Mechanical resistance	Rms	0	Kg/s
Compliance	Cms	0,1	mm/N
Force factor	BL	23,05	Tm
Equivalent air volume	Vas	106,2	dm ³
X max	tot./lin.	125 / 50	mm
Motor weight		34 / 1200	kg/oz

SPL 2,83V/1m	97	dB
--------------	-----------	----

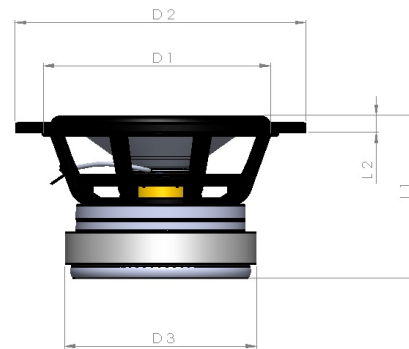
Cone: Composite	Spider: Compound
Surround: foam	Coil former: Aluminium
Basket: Aluminium	Dust cap: Paper
Coil: Aluminium flat Wire	

* SPL Burst



Diameter

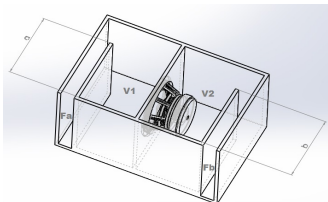
External diameter	446 mm
Installation diameter	425 mm
Installation depth	320mm
Magnet diameter	250mm



D1 = 425mm
D2 = 464mm
D3 = 250mm
L1 = 345mm
L2 = 25mm

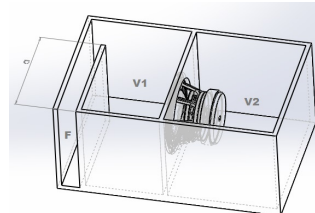
Recommended Boxes (including Ports and Drivers)

Bandpass 6th Order



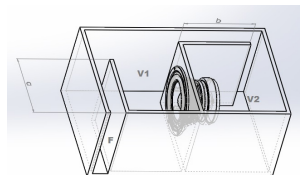
V1 = 120l
V2 = 135l
Fa = 400cm²
Fb = 250 cm²
a = 5 cm
b = 15 cm

Bandpass 4th Order



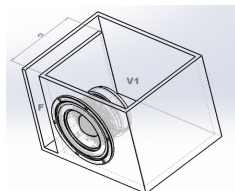
V1 = 145l
V2 = 90l
F = 300 cm²
a = 10 cm

Bandpass 6th Order



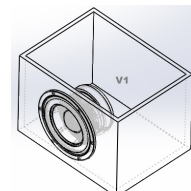
V1 = 135l
V2 = 135l
F = 500cm²
Fb = 250cm²
a = 10cm
b = 15cm

Vented



V1 = 145l
F = 350cm²
a = 40 cm

Sealed



V1 = 90l