

One 8 D2

Speaker Specification

Power	P	500 / 1000*	RMS/SPL
DC resistance	Rdc	1,9 + 1,9	Ω
Nominal impedance	ZN	2,0 +2,0	Ω
Resonance frequency	fs	42	Hz
Voice coil Diameter		2	inch
Shipping weight		6,5	kg

Mechanical Q factor	Qms	5,85
Electrical Q factor	Qes	0,44
Total Q factor	Qts	0,41

Moving mass	Mms	65	g
Effective cone area	Sd	176	cm ²
Mechanical resistance	Rms	0	Kg/s
Compliance	Cms	0,2	mm/N
Force factor	BL	12,34	Tm
Equivalent air volume	Vas	10,28	dm ³
X max	tot./lin.	44 / 11	mm
Motor weight		3,5 / 120	kg/oz

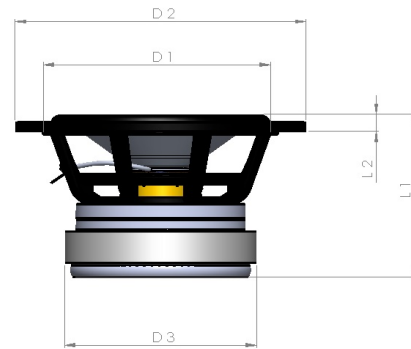
SPL 2,83V/1m	85	dB
--------------	-----------	----

Cone: Paper Kevlar	Spider: Compound
Surround: foarm	Coil former: Aluminium
Basket: Aluminium	Dust cap:Paper
Coil: Kupper	

* only 5 sec.



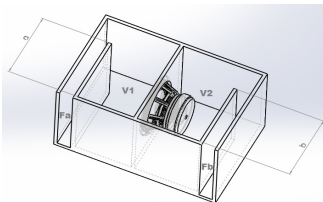
Diameter	
External diameter	213 mm
Installation diameter	181 mm
Installation depth	123 mm
Magnet diameter	140 mm



D1 = 181mm
 D2 = 213mm
 D3= 140mm
 L1= 141mm
 L2= 18mm

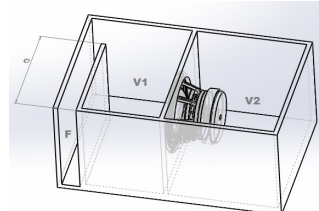
Recommended Boxes (including Ports and Drivers)

Bandpass 6th Order



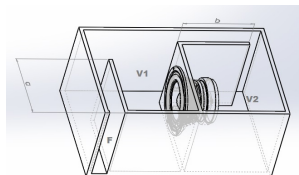
V1 = 22l
 V2 = 22l
 Fa = 100cm²
 Fb = 60 cm²
 a = 5 cm
 b = 15 cm

Bandpass 4th Order



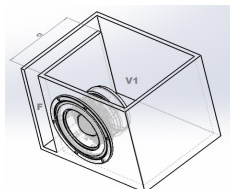
V1 = 20l
 V2 = 12l
 F = 80 cm²
 a = 10 cm

Bandpass 6th Order



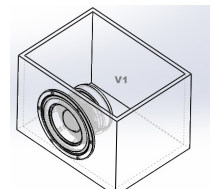
V1 = 25l
 V2 = 22l
 F = 150cm²
 Fb = 60cm²
 a = 10cm
 b = 15cm

Vented



V1 = 20l
 F = 100cm²
 a = 40 cm

Sealed



V1 = 12l