

One 12 D2

Speaker Specification

Power	P	500 / 1200*	RMS/SPL
DC resistance	Rdc	1,9 + 1,9	Ω
Nominal impedance	ZN	2,0 +2,0	Ω
Resonance frequency	fs	33	Hz
Voice coil Diameter		2	inch
Shipping weight		7	kg

Mechanical Q factor	Qms	5,05
Electrical Q factor	Qes	0,42
Total Q factor	Qts	0,39

Moving mass	Mms	155,8	g
Effective cone area	Sd	430	cm ²
Mechanical resistance	Rms	0	Kg/s
Compliance	Cms	0,21	mm/N
Force factor	BL	13,95	Tm
Equivalent air volume	Vas	55,8	dm ³
X max	tot./lin.	44 / 11	mm
Motor weight		3,5 / 120	kg/oz

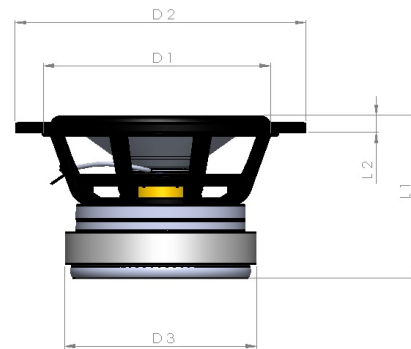
SPL 2,83V/1m	88	dB
--------------	-----------	----

Cone: Paper Kevlar	Spider: Compound
Surround: foarm	Coil former: Aluminium
Basket: Aluminium	Dust cap:Paper
Coil: Kupper	

SPL Burst



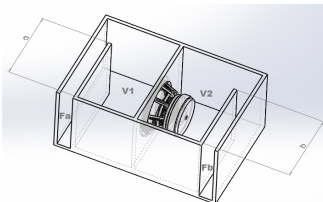
Diameter	
External diameter	305 mm
Installation diameter	275 mm
Installation depth	150 mm
Magnet diameter	140 mm



D1 = 305mm
 D2 = 275mm
 D3= 140mm
 L1= 170mm
 L2= 20mm

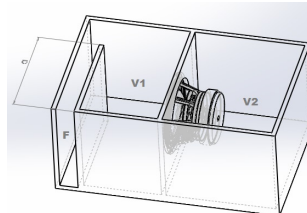
Recommended Boxes (including Ports and Drivers)

Bandpass 6th Order



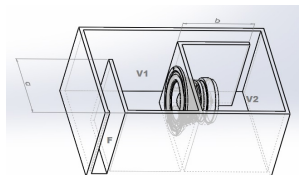
V1 = 45l
 V2 = 55l
 Fa = 150cm²
 Fb = 100 cm²
 a = 5 cm
 b = 15 cm

Bandpass 4th Order



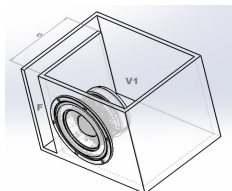
V1 = 45l
 V2 = 35l
 F = 100 cm²
 a = 10 cm

Bandpass 6th Order



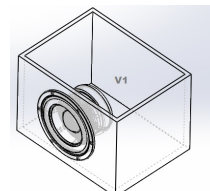
V1 = 55l
 V2 = 45l
 F = 180cm²
 Fb = 80cm²
 a = 10cm
 b = 15cm

Vented



V1 = 45l
 F = 120cm²
 a = 40 cm

Sealed



V1 = 35l