

# One 10 D2

## Speaker Specification

Power	P	<b>500 / 1200*</b>	RMS/SPL
DC resistance	Rdc	<b>1,9 + 1,9</b>	Ω
Nominal impedance	ZN	<b>2,0 +2,0</b>	Ω
Resonance frequency	fs	<b>37</b>	Hz
Voice coil Diameter		<b>2</b>	inch
Shipping weight		<b>7</b>	kg

Mechanical Q factor	Qms	<b>5,38</b>
Electrical Q factor	Qes	<b>0,49</b>
Total Q factor	Qts	<b>0,45</b>

Moving mass	Mms	<b>150</b>	g
Effective cone area	Sd	<b>283</b>	cm <sup>2</sup>
Mechanical resistance	Rms	<b>0</b>	Kg/s
Compliance	Cms	<b>0,21</b>	mm/N
Force factor	BL	<b>13,17</b>	Tm
Equivalent air volume	Vas	<b>35</b>	dm <sup>3</sup>
X max	tot./lin.	<b>44 / 11</b>	mm
Magnet weight		<b>3,5 / 120</b>	kg/oz

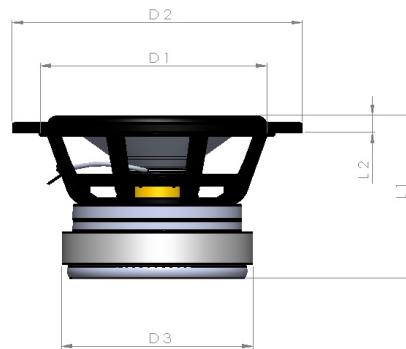
SPL 2,83V/1m	<b>87</b>	dB
--------------	-----------	----

Cone: Paper Kevlar	Spider: Compound
Surround: foam	Coil former: Aluminium
Basket: Aluminium	Dust cap: Paper
Coil: Copper	

\* only 5 sec.



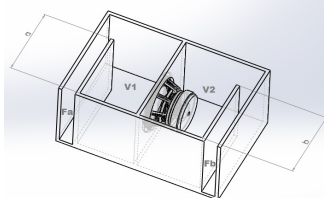
Diameter	
External diameter	264 mm
Installation diameter	231 mm
Installation depth	145 mm
Magnet diameter	140 mm



D1 = 231mm  
 D2 = 264mm  
 D3 = 140mm  
 L1 = 163mm  
 L2 = 18mm

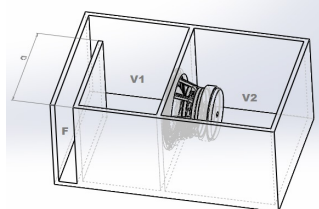
## Recommended Boxes (including Ports and Drivers)

### Bandpass 6th Order



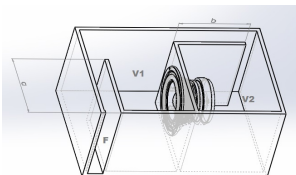
V1 = 40l  
 V2 = 40l  
 Fa = 130cm<sup>2</sup>  
 Fb = 80 cm<sup>2</sup>  
 a = 5 cm  
 b = 15 cm

### Bandpass 4th Order



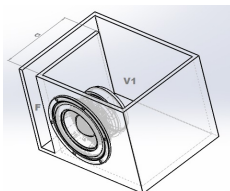
V1 = 35l  
 V2 = 25l  
 F = 100 cm<sup>2</sup>  
 a = 10 cm

### Bandpass 6th Order



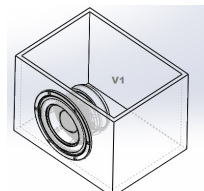
V1 = 40l  
 V2 = 35l  
 F = 180cm<sup>2</sup>  
 Fb = 80cm<sup>2</sup>  
 a = 10cm  
 b = 15cm

### Vented



V1 = 35l  
 F = 120cm<sup>2</sup>  
 a = 40 cm

### Sealed



V1 = 25l