

big one 15 D2

Speaker Specification

Power	P	1500 / 5000*	RMS/SPL
DC resistance	Rdc	1,9 + 1,9	Ω
Nominal impedance	ZN	2,0 +2,0	Ω
Resonance frequency	fs	34	Hz
Voice coil Diameter		3	inch
Shipping weight		16	kg

Mechanical Q factor	Qms	6,42
Electrical Q factor	Qes	0,64
Total Q factor	Qts	0,58

Moving mass	Mms	235	g
Effective cone area	Sd	625	cm ²
Mechanical resistance	Rms	0	Kg/s
Compliance	Cms	0,09	mm/N
Force factor	BL	20,1	Tm
Equivalent air volume	Vas	152	dm ³
X max	tot./lin.	60 / 30	mm
Motor weight		12 / 425	kg/oz

SPL 2,83V/1m	91	dB
--------------	----	----

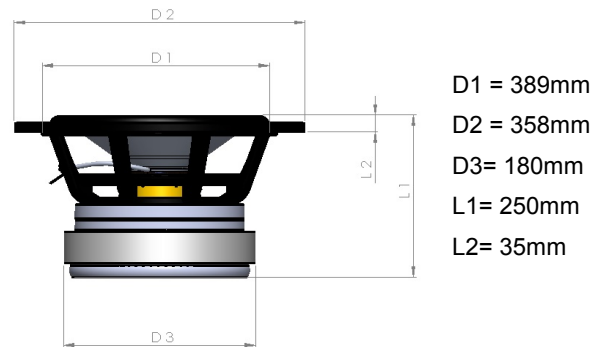
Cone: Paper Kevlar	Spider: Compound
Surround: foam	Coil former: Aluminium
Basket: Aluminium	Dust cap: Paper
Coil: Copper	

* SPL Burst



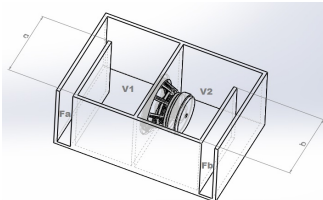
Diameter

External diameter	389 mm
Installation diameter	358 mm
Installation depth	215 mm
Magnet diameter	180 mm



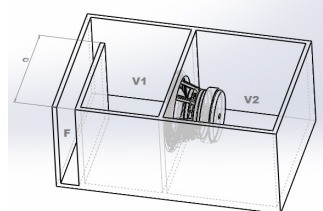
Recommended Boxes (including Ports and Drivers)

Bandpass 6th Order



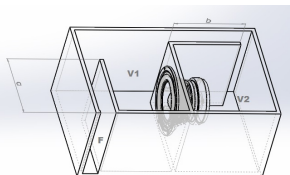
V1 = 90l
V2 = 100l
Fa = 250cm²
Fb = 150 cm²
a = 5 cm
b = 15 cm

Bandpass 4th Order



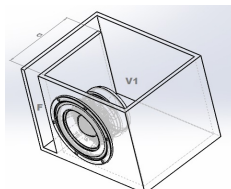
V1 = 90l
V2 = 60l
F = 160 cm²
a = 10 cm

Bandpass 6th Order



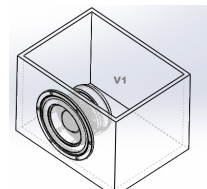
V1 = 90l
V2 = 90l
F = 300cm²
Fb = 150cm²
a = 10cm
b = 15cm

Vented



V1 = 100l
F = 250cm²
a = 40 cm

Sealed



V1 = 60l