

big one 12 D2

Speaker Specification

Power	P	1500 / 5000*	RMS/SPL
DC resistance	Rdc	1,9 + 1,9	Ω
Nominal impedance	ZN	2,0 +2,0	Ω
Resonance frequency	fs	36	Hz
Voice coil Diameter		3	inch
Shipping weight		15	kg

Mechanical Q factor	Qms	6,4
Electrical Q factor	Qes	0,51
Total Q factor	Qts	0,48

Moving mass	Mms	220,5	g
Effective cone area	Sd	330	cm ²
Mechanical resistance	Rms	0	Kg/s
Compliance	Cms	0,1	mm/N
Force factor	BL	21	Tm
Equivalent air volume	Vas	67,4	dm ³
X max	tot./lin.	60 / 30	mm
Motor weight		12 / 425	kg/oz

SPL 2,83V/1m	88	dB
--------------	----	----

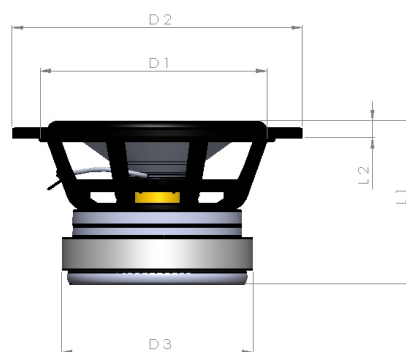
Cone: Paper Kevlar	Spider: Compound
Surround: foam	Coil former: Aluminium
Basket: Aluminium	Dust cap: Paper
Coil: Copper	

* SPL Burst



Diameter

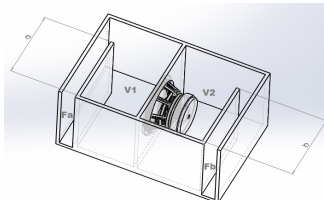
External diameter	315 mm
Installation diameter	280 mm
Installation depth	180 mm
Magnet diameter	180 mm



D1 = 280mm
D2 = 315mm
D3 = 180mm
L1 = 212mm
L2 = 32mm

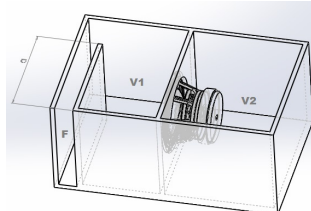
Recommended Boxes (including Ports and Drivers)

Bandpass 6th Order



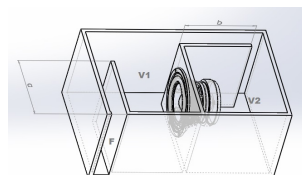
V1 = 65l
V2 = 70l
Fa = 150cm²
Fb = 100 cm²
a = 5 cm
b = 15 cm

Bandpass 4th Order



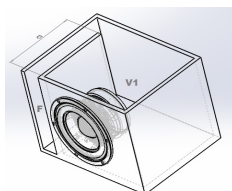
V1 = 65l
V2 = 45l
F = 100 cm²
a = 10 cm

Bandpass 6th Order



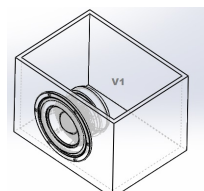
V1 = 65l
V2 = 65l
F = 180cm²
Fb = 80cm²
a = 10cm
b = 15cm

Vented



V1 = 70l
F = 120cm²
a = 40 cm

Sealed



V1 = 45l