

big one 10 D2

Speaker Specification

Power	P	1500 / 5000*	RMS/SPL
DC resistance	Rdc	1,9 + 1,9	Ω
Nominal impedance	ZN	2,0 +2,0	Ω
Resonance frequency	fs	38	Hz
Voice coil Diameter		3	inch
Shipping weight		14	kg

Mechanical Q factor	Qms	5,78
Electrical Q factor	Qes	0,44
Total Q factor	Qts	0,41

Moving mass	Mms	209	g
Effective cone area	Sd	225	cm ²
Mechanical resistance	Rms	0	Kg/s
Compliance	Cms	0,08	mm/N
Force factor	BL	21,05	Tm
Equivalent air volume	Vas	27,7	dm ³
X max	tot./lin.	60 / 30	mm
Motor weight		12 / 425	kg/oz

SPL 2,83V/1m	86	dB
--------------	----	----

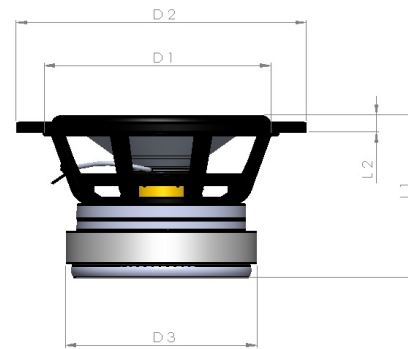
Cone: Paper Kevlar	Spider: Compound
Surround: foam	Coil former: Aluminium
Basket: Aluminium	Dust cap: Paper
Coil: Copper	

* SPL Burst.



Diameter

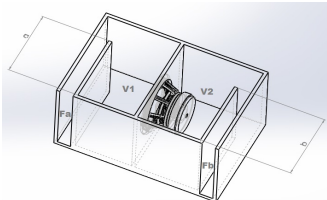
External diameter	273 mm
Installation diameter	240 mm
Installation depth	165 mm
Magnet diameter	180mm



D1 = 240mm
 D2 = 274mm
 D3 = 180mm
 L1 = 195mm
 L2 = 30mm

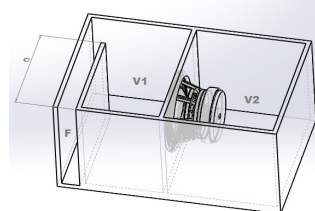
Recommended Boxes (including Ports and Drivers)

Bandpass 6th Order



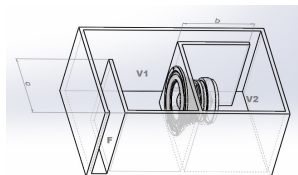
V1 = 50l
 V2 = 50l
 Fa = 130cm²
 Fb = 80 cm²
 a = 5 cm
 b = 15 cm

Bandpass 4th Order



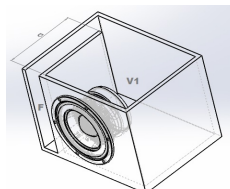
V1 = 50l
 V2 = 30l
 F = 100 cm²
 a = 10 cm

Bandpass 6th Order



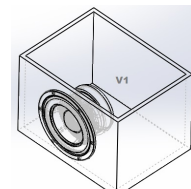
V1 = 50l
 V2 = 45l
 F = 180cm²
 Fb = 80cm²
 a = 10cm
 b = 15cm

Vented



V1 = 50l
 F = 120cm²
 a = 40 cm

Sealed



V1 = 35l