

X15d D2

Speaker Specification

Power	P	1000 / 3000*	RMS/SPL
DC resistance	Rdc	1,9 + 1,9	Ω
Nominal impedance	ZN	2,0 +2,0	Ω
Resonance frequency	fs	29	Hz
Voice coil Diameter		2,5	inch
Shipping weight		10	kg

Mechanical Q factor	Qms	7,97	
Electrical Q factor	Qes	0,52	
Total Q factor	Qts	0,49	

Moving mass	Mms	269,5	g
Effective cone area	Sd	754	cm ²
Mechanical resistance	Rms	0	Kg/s
Compliance	Cms	0,08	mm/N
Force factor	BL	22,91	Tm
Equivalent air volume	Vas	84,2	dm ³
X max	tot./lin.	60 / 35	mm
Motor weight		5,5 / 200	kg/oz

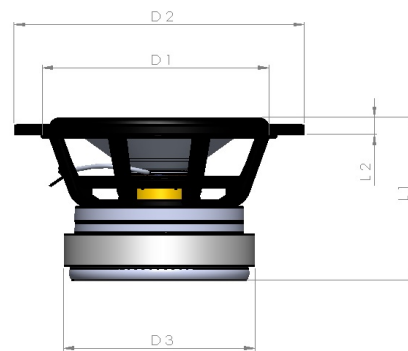
SPL 2,83V/1m	94	dB
--------------	----	----

Cone: Paper Kevlar	Spider: Compound
Surround: foam	Coil former: Aluminium
Basket: Aluminium	Dust cap: Paper
Coil: Copper	

* SPL Burst



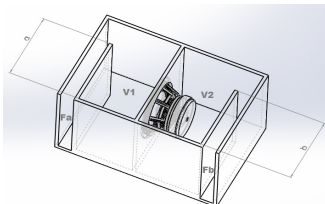
Diameter	
External diameter	389 mm
Installation diameter	358 mm
Installation depth	189 mm
Magnet diameter	156 mm



D1 = 389mm
 D2 = 358mm
 D3 = 156mm
 L1 = 217mm
 L2 = 28mm

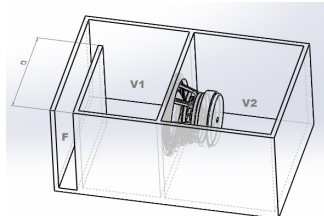
Recommended Boxes (including Ports and Drivers)

Bandpass 6th Order



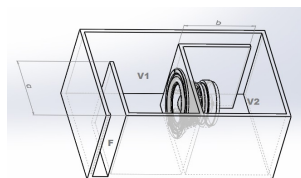
V1 = 60l
 V2 = 70l
 Fa = 160cm²
 Fb = 100 cm²
 a = 5 cm
 b = 15 cm

Bandpass 4th Order



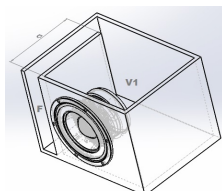
V1 = 65l
 V2 = 45l
 F = 160 cm²
 a = 10 cm

Bandpass 6th Order



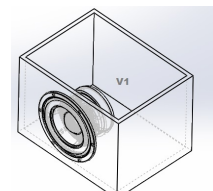
V1 = 45l
 V2 = 70l
 F = 250cm²
 Fb = 100cm²
 a = 10cm
 b = 15cm

Vented



V1 = 65l
 F = 250cm²
 a = 40 cm

Sealed



V1 = 45l