

# X12d D2

## Speaker Specification

Power	P	1000 / 3000*	RMS/SPL
DC resistance	Rdc	1,9 + 1,9	Ω
Nominal impedance	ZN	2,0 +2,0	Ω
Resonance frequency	fs	36,9	Hz
Voice coil Diameter		2,5	inch
Shipping weight		9	kg

Mechanical Q factor	Qms	8,24
Electrical Q factor	Qes	0,54
Total Q factor	Qts	0,51

Moving mass	Mms	205,8	g
Effective cone area	Sd	430	cm <sup>2</sup>
Mechanical resistance	Rms	0	Kg/s
Compliance	Cms	0,07	mm/N
Force factor	BL	19,95	Tm
Equivalent air volume	Vas	49,3	dm <sup>3</sup>
X max	tot./lin.	60 / 35	mm
Magnet weight		5,5 / 200	kg/oz

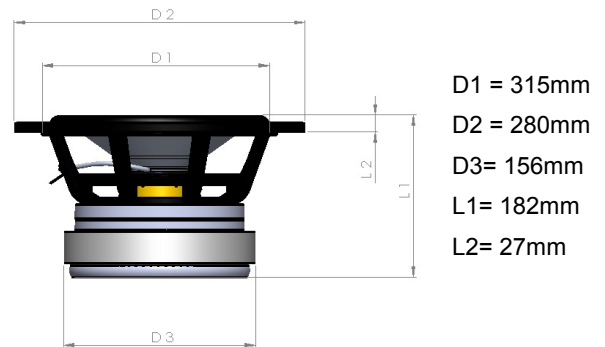
SPL 2,83V/1m	89	dB
--------------	----	----

Cone: Paper Kevlar	Spider: Compound
Surround: foam	Coil former: Aluminium
Basket: Aluminium	Dust cap: Paper
Coil: Copper	

\* SPL Burst

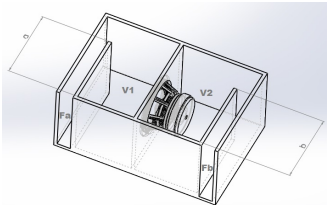


Diameter	
External diameter	315 mm
Installation diameter	280 mm
Installation depth	155 mm
Magnet diameter	156 mm



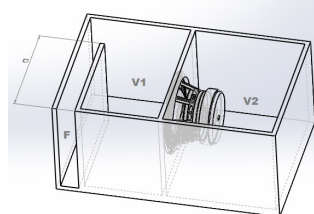
## Recommended Boxes (including Ports and Drivers)

### Bandpass 6th Order



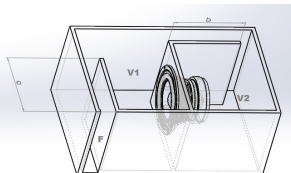
V1 = 30l  
V2 = 40l  
Fa = 120cm<sup>2</sup>  
Fb = 80 cm<sup>2</sup>  
a = 5 cm  
b = 15 cm

### Bandpass 4th Order



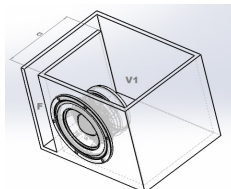
V1 = 32l  
V2 = 20l  
F = 100 cm<sup>2</sup>  
a = 10 cm

### Bandpass 6th Order



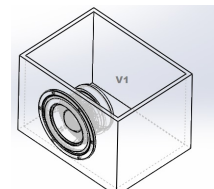
V1 = 20l  
V2 = 45l  
F = 180cm<sup>2</sup>  
Fb = 80cm<sup>2</sup>  
a = 10cm  
b = 15cm

### Vented



V1 = 32l  
F = 80cm<sup>2</sup>  
a = 25 cm

### Sealed



V1 = 20l