

X10d D2

Speaker Specification

Power	P	1000 / 3000*	RMS/SPL
DC resistance	Rdc	1,9 + 1,9	Ω
Nominal impedance	ZN	2,0 +2,0	Ω
Resonance frequency	fs	34	Hz
Voice coil Diameter		2,5	inch
Shipping weight		9	kg

Mechanical Q factor	Qms	7,68
Electrical Q factor	Qes	0,54
Total Q factor	Qts	0,50

Moving mass	Mms	170,1	g
Effective cone area	Sd	283	cm ²
Mechanical resistance	Rms	0	Kg/s
Compliance	Cms	0,09	mm/N
Force factor	BL	18,67	Tm
Equivalent air volume	Vas	29,3	dm ³
X max	tot./lin.	60 / 35	mm
Motor weight		5,5 / 200	kg/oz

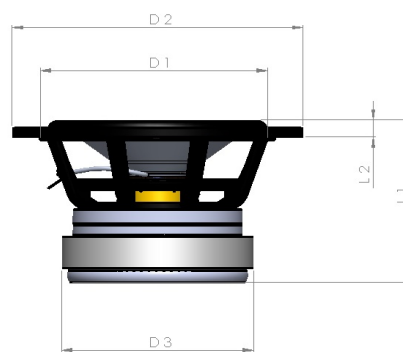
SPL 2,83V/1m	88	dB
--------------	-----------	----

Cone: Paper Kevlar	Spider: Compound
Surround: foam	Coil former: Aluminium
Basket: Aluminium	Dust cap: Paper
Coil: Copper	

* only 5 sec.



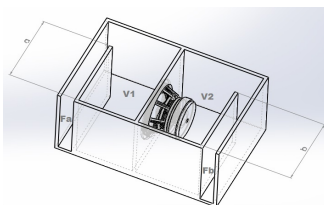
Diameter	
External diameter	273 mm
Installation diameter	240 mm
Installation depth	140 mm
Magnet diameter	156 mm



D1 = 240mm
 D2 = 274mm
 D3 = 156mm
 L1 = 161mm
 L2 = 21mm

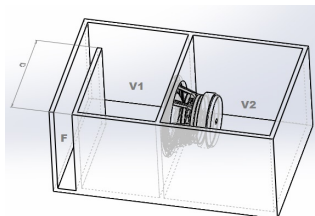
Recommended Boxes (including Ports and Drivers)

Bandpass 6th Order



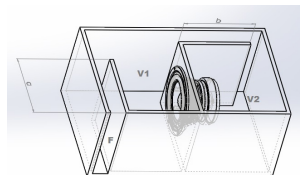
V1 = 25l
 V2 = 35l
 Fa = 130cm²
 Fb = 80 cm²
 a = 5 cm
 b = 15 cm

Bandpass 4th Order



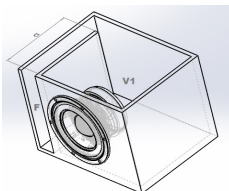
V1 = 28l
 V2 = 18l
 F = 100 cm²
 a = 10 cm

Bandpass 6th Order



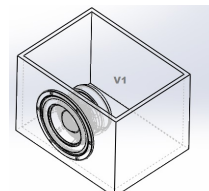
V1 = 18l
 V2 = 35l
 F = 180cm²
 Fb = 80cm²
 a = 10cm
 b = 15cm

Vented



V1 = 28l
 F = 80cm²
 a = 25 cm

Sealed



V1 = 18l