

# X21d max ARMAGEDDON D2

## Speaker Specification

|                     |     |               |         |
|---------------------|-----|---------------|---------|
| Power               | P   | 3500 / 15000* | RMS/SPL |
| DC resistance       | Rdc | 1,9 + 1,9     | Ω       |
| Nominal impedance   | ZN  | 2,0 +2,0      | Ω       |
| Resonance frequency | fs  | 33            | Hz      |
| Voice coil Diameter |     | 3             | inch    |
| Shipping weight     |     | 24            | kg      |

|                     |     |      |
|---------------------|-----|------|
| Mechanical Q factor | Qms | 7,26 |
| Electrical Q factor | Qes | 0,53 |
| Total Q factor      | Qts | 0,49 |

|                       |           |          |                 |
|-----------------------|-----------|----------|-----------------|
| Moving mass           | Mms       | 290,1    | g               |
| Effective cone area   | Sd        | 1350     | cm <sup>2</sup> |
| Mechanical resistance | Rms       |          | Kg/s            |
| Compliance            | Cms       | 0,07     | mm/N            |
| Force factor          | BL        | 23       | Tm              |
| Equivalent air volume | Vas       | 152,2    | dm <sup>3</sup> |
| X max                 | tot./lin. | 110 / 50 | mm              |
| Motor weight          |           | 18 / 650 | kg/oz           |

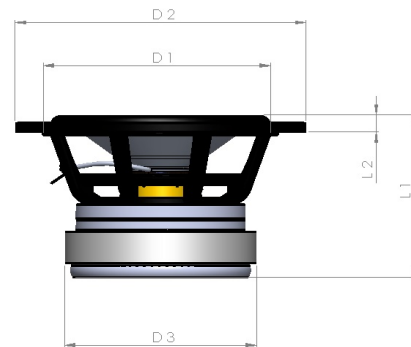
|              |    |    |
|--------------|----|----|
| SPL 2,83V/1m | 95 | dB |
|--------------|----|----|

|                   |                        |
|-------------------|------------------------|
| Cone: Composite   | Spider: Compound       |
| Surround: foarm   | Coil former: Aluminium |
| Basket: Aluminium | Dust cap: Paper        |
| Coil: Aluminium   |                        |

\* SPL Burst



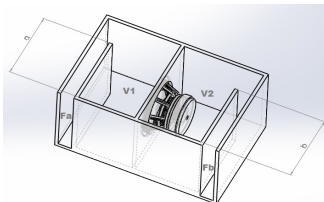
| Diameter              |        |
|-----------------------|--------|
| External diameter     | 540 mm |
| Installation diameter | 490 mm |
| Installation depth    | 270mm  |
| Magnet diameter       | 200 mm |



D1 = 425mm  
D2 = 464mm  
D3= 200mm  
L1= 295mm  
L2= 25mm

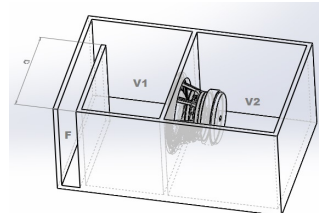
## Recommended Boxes (including Ports and Drivers)

### Bandpass 6th Order



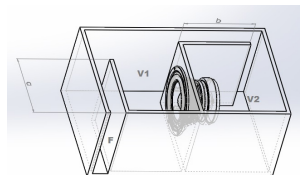
V1 = 125l  
V2 = 150l  
Fa = 350cm<sup>2</sup>  
Fb = 200 cm<sup>2</sup>  
a = 5 cm  
b = 15 cm

### Bandpass 4th Order



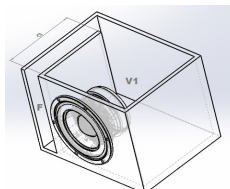
V1 = 150l  
V2 = 100l  
F = 250 cm<sup>2</sup>  
a = 10 cm

### Bandpass 6th Order



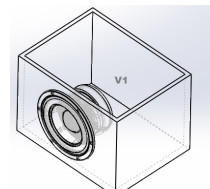
V1 = 150l  
V2 = 150l  
F = 450cm<sup>2</sup>  
Fb = 200cm<sup>2</sup>  
a = 10cm  
b = 15cm

### Vented



V1 = 150l  
F = 350cm<sup>2</sup>  
a = 40 cm

### Sealed



V1 = 100l