

X18d ARMAGEDDON D2

Speaker Specification

| | | | |
|---------------------|-----|---------------|---------|
| Power | P | 2500 / 10000* | RMS/SPL |
| DC resistance | Rdc | 1,9 + 1,9 | Ω |
| Nominal impedance | ZN | 2,0 +2,0 | Ω |
| Resonance frequency | fs | 30 | Hz |
| Voice coil Diameter | | 3 | inch |
| Shipping weight | | 20 | kg |

| | | |
|---------------------|-----|------|
| Mechanical Q factor | Qms | 7,26 |
| Electrical Q factor | Qes | 0,53 |
| Total Q factor | Qts | 0,49 |

| | | | |
|-----------------------|-----------|----------|-----------------|
| Moving mass | Mms | 337,2 | g |
| Effective cone area | Sd | 1134 | cm ² |
| Mechanical resistance | Rms | 0 | Kg/s |
| Compliance | Cms | 0,07 | mm/N |
| Force factor | BL | 25 | Tm |
| Equivalent air volume | Vas | 124,2 | dm ³ |
| X max | tot./lin. | 80 / 40 | mm |
| Motor weight | | 15 / 530 | kg/oz |

| | | |
|--------------|----|----|
| SPL 2,83V/1m | 95 | dB |
|--------------|----|----|

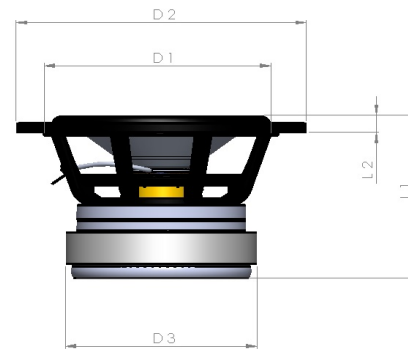
| | |
|--------------------|------------------------|
| Cone: Paper Kevlar | Spider: Compound |
| Surround: foam | Coil former: Aluminium |
| Basket: Aluminium | Dust cap: Paper |
| Coil: Copper | |

* SPL Burst



Diameter

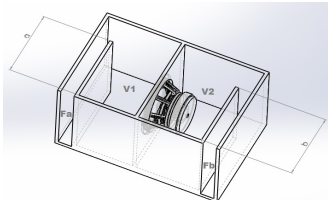
| | |
|-----------------------|--------|
| External diameter | 446 mm |
| Installation diameter | 425 mm |
| Installation depth | 280mm |
| Magnet diameter | 200 mm |



D1 = 425mm
D2 = 464mm
D3 = 200mm
L1 = 295mm
L2 = 25mm

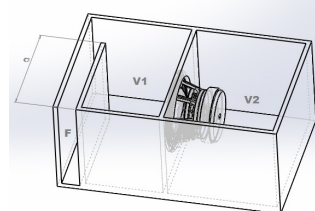
Recommended Boxes (including Ports and Drivers)

Bandpass 6th Order



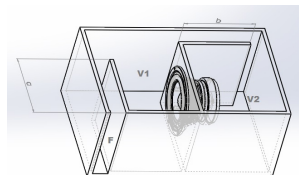
V1 = 110l
V2 = 125l
Fa = 350cm²
Fb = 200 cm²
a = 5 cm
b = 15 cm

Bandpass 4th Order



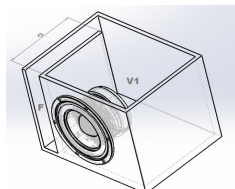
V1 = 135l
V2 = 80l
F = 250 cm²
a = 10 cm

Bandpass 6th Order



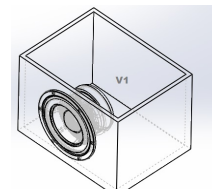
V1 = 125l
V2 = 125l
F = 450cm²
Fb = 200cm²
a = 10cm
b = 15cm

Vented



V1 = 135l
F = 350cm²
a = 40 cm

Sealed



V1 = 80l