

X15b max ARMAGEDDON D2

Speaker Specification



Power	P	3500 / 15000*	RMS/SPL
DC resistance	Rdc	1,9 + 1,9	Ω
Nominal impedance	ZN	2,0 +2,0	Ω
Resonance frequency	fs	35	Hz
Voice coil Diameter		3	inch
Shipping weight		24	kg

Mechanical Q factor	Qms	7,97	
Electrical Q factor	Qes	0,51	
Total Q factor	Qts	0,49	

Moving mass	Mms	180,5	g
Effective cone area	Sd	754	cm ²
Mechanical resistance	Rms		Kg/s
Compliance	Cms	0,08	mm/N
Force factor	BL	24,1	Tm
Equivalent air volume	Vas	86,5	dm ³
X max	tot./lin.	110 / 50	mm
Motor weight		18 / 650	kg/oz

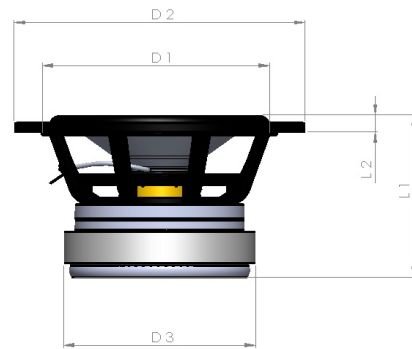
SPL 2,83V/1m	93	dB
--------------	----	----

Cone: Composite	Spider: Compound
Surround: foam	Coil former: Aluminium
Basket: Aluminium	Dust cap: Paper
Coil: Aluminium	

* SPL Burst

Diameter

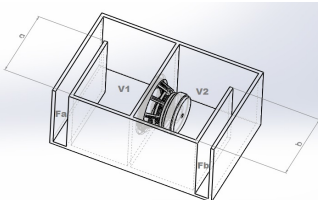
External diameter	389 mm
Installation diameter	358 mm
Installation depth	280 mm
Magnet diameter	200 mm



D1 = 389mm
 D2 = 358mm
 D3 = 200mm
 L1 = 303mm
 L2 = 28mm

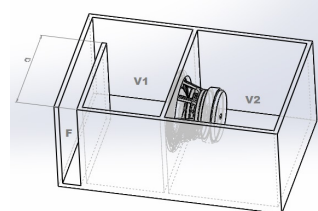
Recommended Boxes (including Ports and Drivers)

Bandpass 6th Order



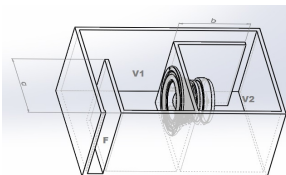
V1 = 90l
 V2 = 100l
 Fa = 250cm²
 Fb = 150 cm²
 a = 5 cm
 b = 15 cm

Bandpass 4th Order



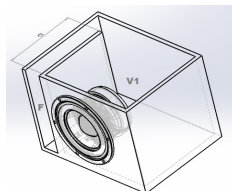
V1 = 90l
 V2 = 60l
 F = 160 cm²
 a = 10 cm

Bandpass 6th Order



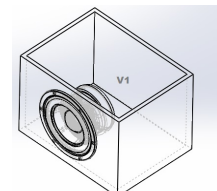
V1 = 90l
 V2 = 90l
 F = 300cm²
 Fb = 150cm²
 a = 10cm
 b = 15cm

Vented



V1 = 100l
 F = 250cm²
 a = 40 cm

Sealed



V1 = 60l