

X15b ARMAGEDDON D2

Speaker Specification

Power	P	2500 / 10000*	RMS/SPL
DC resistance	Rdc	1,9 + 1,9	Ω
Nominal impedance	ZN	2,0 +2,0	Ω
Resonance frequency	fs	32	Hz
Voice coil Diameter		3	inch
Shipping weight		19	kg

Mechanical Q factor	Qms	7,97	
Electrical Q factor	Qes	0,52	
Total Q factor	Qts	0,49	

Moving mass	Mms	219,7	g
Effective cone area	Sd	754	cm ²
Mechanical resistance	Rms	0	Kg/s
Compliance	Cms	0,08	mm/N
Force factor	BL	25,1	Tm
Equivalent air volume	Vas	86,5	dm ³
X max	tot./lin.	80 / 40	mm
Motor weight		15 / 530	kg/oz

SPL 2,83V/1m	93	dB
--------------	----	----

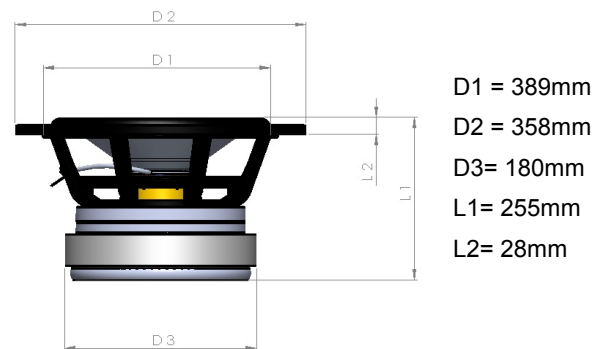
Cone: Paper Kevlar	Spider: Compound
Surround: foam	Coil former: Aluminium
Basket: Aluminium	Dust cap: Paper
Coil: Copper	

* SPL Burst



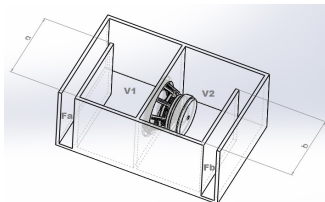
Diameter

External diameter	389 mm
Installation diameter	358 mm
Installation depth	270 mm
Magnet diameter	200 mm



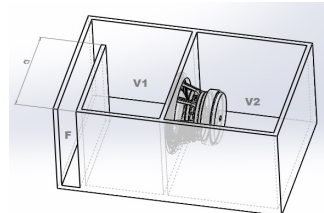
Recommended Boxes (including Ports and Drivers)

Bandpass 6th Order



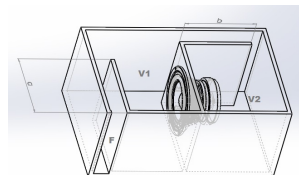
V1 = 90l
V2 = 100l
Fa = 250cm²
Fb = 150 cm²
a = 5 cm
b = 15 cm

Bandpass 4th Order



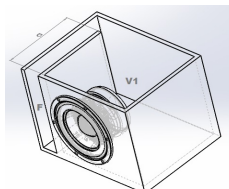
V1 = 90l
V2 = 60l
F = 160 cm²
a = 10 cm

Bandpass 6th Order



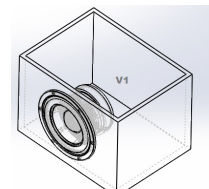
V1 = 90l
V2 = 90l
F = 300cm²
Fb = 150cm²
a = 10cm
b = 15cm

Vented



V1 = 100l
F = 250cm²
a = 40 cm

Sealed



V1 = 60l