

X12b ARMAGEDDON D2

Speaker Specification

Power	P	2500 / 10000*	RMS/SPL
DC resistance	Rdc	1,9 + 1,9	Ω
Nominal impedance	ZN	2,0 +2,0	Ω
Resonance frequency	fs	34	Hz
Voice coil Diameter		3	inch
Shipping weight		19	kg

Mechanical Q factor	Qms	4,65
Electrical Q factor	Qes	0,52
Total Q factor	Qts	0,47

Moving mass	Mms	210,3	g
Effective cone area	Sd	430	cm ²
Mechanical resistance	Rms	0	Kg/s
Compliance	Cms	0,1	mm/N
Force factor	BL	25,3	Tm
Equivalent air volume	Vas	50,4	dm ³
X max	tot./lin.	80 / 40	mm
Motor weight		15 / 530	kg/oz

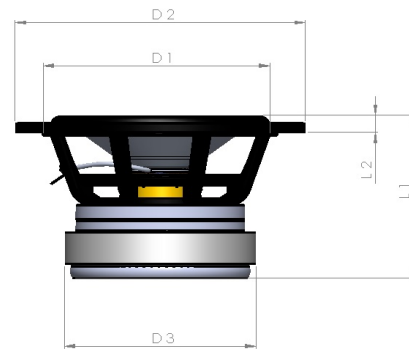
SPL 2,83V/1m	91	dB
--------------	----	----

Cone: Paper Kevlar	Spider: Compound
Surround: foam	Coil former: Aluminium
Basket: Aluminium	Dust cap: Paper
Coil: Copper	

* SPL Burst



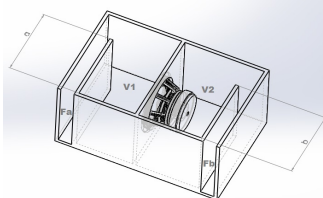
Diameter	
External diameter	315 mm
Installation diameter	280 mm
Installation depth	240 mm
Magnet diameter	200 mm



D1 = 315mm
 D2 = 280mm
 D3 = 180mm
 L1 = 213mm
 L2 = 27mm

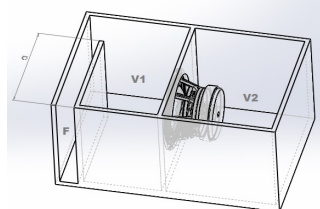
Recommended Boxes (including Ports and Drivers)

Bandpass 6th Order



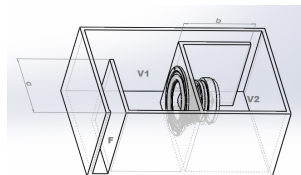
V1 = 65l
 V2 = 70l
 Fa = 150cm²
 Fb = 100 cm²
 a = 5 cm
 b = 15 cm

Bandpass 4th Order



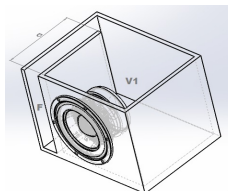
V1 = 65l
 V2 = 45l
 F = 100 cm²
 a = 10 cm

Bandpass 6th Order



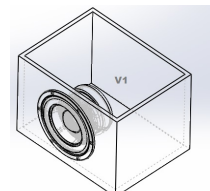
V1 = 65l
 V2 = 65l
 F = 180cm²
 Fb = 80cm²
 a = 10cm
 b = 15cm

Vented



V1 = 70l
 F = 120cm²
 a = 40 cm

Sealed



V1 = 45l