

X10d ARMAGEDDON D2

Speaker Specification

| | | | |
|---------------------|-----|---------------|---------|
| Power | P | 2500 / 10000* | RMS/SPL |
| DC resistance | Rdc | 1,9 + 1,9 | Ω |
| Nominal impedance | ZN | 2,0 +2,0 | Ω |
| Resonance frequency | fs | 35,8 | Hz |
| Voice coil Diameter | | 3 | inch |
| Shipping weight | | 18 | kg |

| | | |
|---------------------|-----|------|
| Mechanical Q factor | Qms | 4,53 |
| Electrical Q factor | Qes | 0,54 |
| Total Q factor | Qts | 0,50 |

| | | | |
|-----------------------|-----------|----------|-----------------|
| Moving mass | Mms | 200,4 | g |
| Effective cone area | Sd | 283 | cm ² |
| Mechanical resistance | Rms | 0 | Kg/s |
| Compliance | Cms | 0,11 | mm/N |
| Force factor | BL | 25,05 | Tm |
| Equivalent air volume | Vas | 35,7 | dm ³ |
| X max | tot./lin. | 70 / 40 | mm |
| Motor weight | | 15 / 530 | kg/oz |

| | | |
|--------------|----|----|
| SPL 2,83V/1m | 89 | dB |
|--------------|----|----|

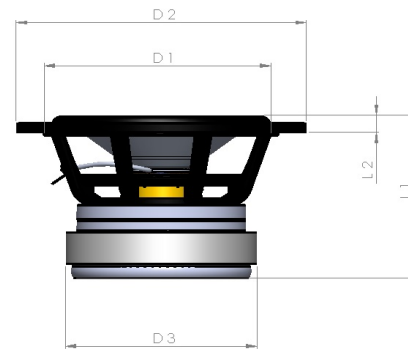
| | |
|--------------------|------------------------|
| Cone: Paper Kevlar | Spider: Compound |
| Surround: foam | Coil former: Aluminium |
| Basket: Aluminium | Dust cap: Paper |
| Coil: Copper | |

* SPL Burst.



Diameter

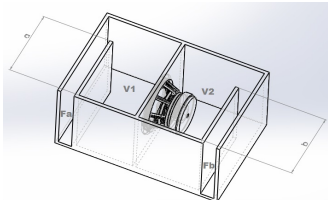
| | |
|-----------------------|--------|
| External diameter | 273 mm |
| Installation diameter | 240 mm |
| Installation depth | 179 mm |
| Magnet diameter | 200mm |



D1 = 240mm
D2 = 274mm
D3 = 180mm
L1 = 200mm
L2 = 21mm

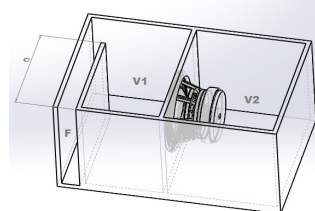
Recommended Boxes (including Ports and Drivers)

Bandpass 6th Order



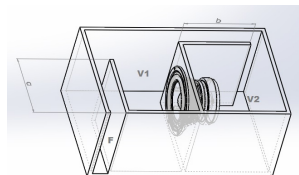
V1 = 50l
V2 = 50l
Fa = 130cm²
Fb = 80 cm²
a = 5 cm
b = 15 cm

Bandpass 4th Order



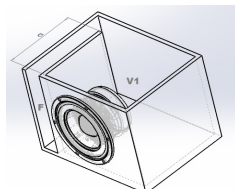
V1 = 50l
V2 = 30l
F = 100 cm²
a = 10 cm

Bandpass 6th Order



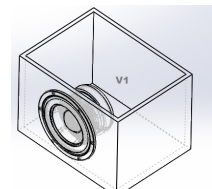
V1 = 50l
V2 = 45l
F = 180cm²
Fb = 80cm²
a = 10cm
b = 15cm

Vented



V1 = 50l
F = 120cm²
a = 40 cm

Sealed



V1 = 35l