

XX18d ARMAGEDDON D2

Speaker Specification



Power	P	5000/20000*	RMS/SPL
DC resistance	Rdc	1,9 + 1,9	Ω
Nominal impedance	ZN	2,0 + 2,0	Ω
Resonance frequency	fs	28	Hz
Voice coil Diameter		3,7	inch
Shipping weight		35,5	kg

Mechanical Q factor	Qms	5,29
Electrical Q factor	Qes	0,52
Total Q factor	Qts	0,47

Moving mass	Mms	412,6	g
Effective cone area	Sd	1134	cm ²
Mechanical resistance	Rms		Kg/s
Compliance	Cms	0,1	mm/N
Force factor	BL	24,02	Tm
Equivalent air volume	Vas	148,2	dm ³
X max	tot./lin.	100 / 40	mm
Motor weight		25 / 850	kg/oz

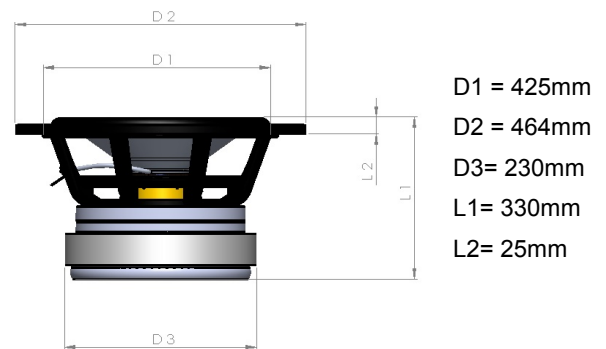
SPL 2,83V/1m	96	dB
--------------	----	----

Cone: Composite	Spider: Compound
Surround: foam	Coil former: Aluminium
Basket: Aluminium	Dust cap: Paper
Coil: Aluminium	

* SPL Burst

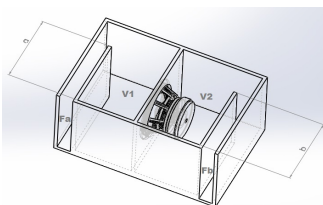
Diameter

External diameter	446 mm
Installation diameter	425 mm
Installation depth	305mm
Magnet diameter	230 mm



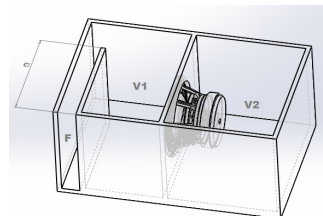
Recommended Boxes (including Ports and Drivers)

Bandpass 6th Order



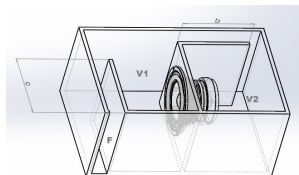
V1 = 120l
V2 = 135l
Fa = 400cm²
Fb = 250 cm²
a = 5 cm
b = 15 cm

Bandpass 4th Order



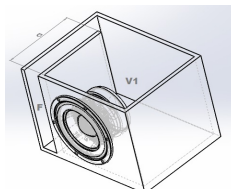
V1 = 145l
V2 = 90l
F = 300 cm²
a = 10 cm

Bandpass 6th Order



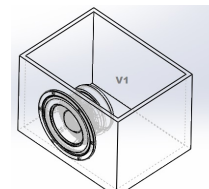
V1 = 135l
V2 = 135l
F = 500cm²
Fb = 250cm²
a = 10cm
b = 15cm

Vented



V1 = 145l
F = 350cm²
a = 40 cm

Sealed



V1 = 90l