

# XX15d ARMAGEDDON D2

## Speaker Specification

Power	P	5000/20000*	RMS/SPL
DC resistance	Rdc	1,9 + 1,9	Ω
Nominal impedance	ZN	2,0 +2,0	Ω
Resonance frequency	fs	32	Hz
Voice coil Diameter		3,7	inch
Shipping weight		34,9	kg

Mechanical Q factor	Qms	5,37
Electrical Q factor	Qes	0,52
Total Q factor	Qts	0,47

Moving mass	Mms	291,7	g
Effective cone area	Sd	754	cm <sup>2</sup>
Mechanical resistance	Rms	0	Kg/s
Compliance	Cms	0,1	mm/N
Force factor	BL	25,09	Tm
Equivalent air volume	Vas	84,5	dm <sup>3</sup>
X max	tot./lin.	100 / 40	mm
Motor weight		25 / 850	kg/oz

SPL 2,83V/1m	94	dB
--------------	----	----

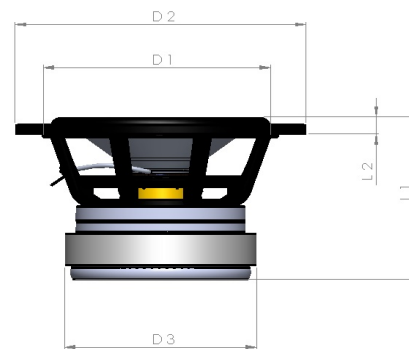
Cone: Composite	Spider: Compound
Surround: foam	Coil former: Aluminium
Basket: Aluminium	Dust cap: Paper
Coil: Aluminium	

\* SPL Burst



### Diameter

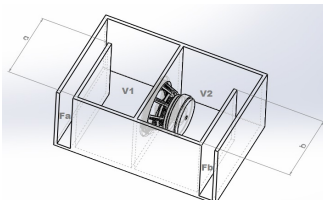
External diameter	389 mm
Installation diameter	358 mm
Installation depth	299 mm
Magnet diameter	230 mm



D1 = 389mm  
 D2 = 358mm  
 D3 = 230mm  
 L1 = 327mm  
 L2 = 28mm

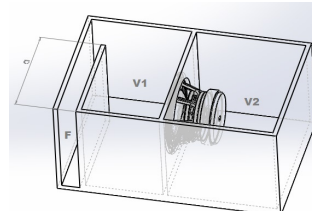
## Recommended Boxes (including Ports and Drivers)

### Bandpass 6th Order



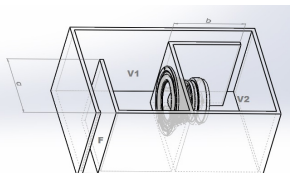
V1 = 100l  
 V2 = 110l  
 Fa = 250cm<sup>2</sup>  
 Fb = 150 cm<sup>2</sup>  
 a = 5 cm  
 b = 15 cm

### Bandpass 4th Order



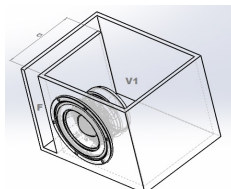
V1 = 110l  
 V2 = 70l  
 F = 180 cm<sup>2</sup>  
 a = 10 cm

### Bandpass 6th Order



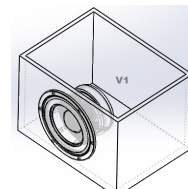
V1 = 100l  
 V2 = 100l  
 F = 300cm<sup>2</sup>  
 Fb = 150cm<sup>2</sup>  
 a = 10cm  
 b = 15cm

### Vented



V1 = 110l  
 F = 300cm<sup>2</sup>  
 a = 40 cm

### Sealed



V1 = 70l