

XX12d ARMAGEDDON D2

Speaker Specification

Power	P	5000/20000*	RMS/SPL
DC resistance	Rdc	1,9 + 1,9	Ω
Nominal impedance	ZN	2,0 +2,0	Ω
Resonance frequency	fs	36	Hz
Voice coil Diameter		3,7	inch
Shipping weight		34,5	kg

Mechanical Q factor	Qms	6,65
Electrical Q factor	Qes	0,49
Total Q factor	Qts	0,46

Moving mass	Mms	221,9	g
Effective cone area	Sd	430	cm ²
Mechanical resistance	Rms		Kg/s
Compliance	Cms	0,1	mm/N
Force factor	BL	25,19	Tm
Equivalent air volume	Vas	48,4	dm ³
X max	tot./lin.	100 / 40	mm
Motor weight		25 / 850	kg/oz

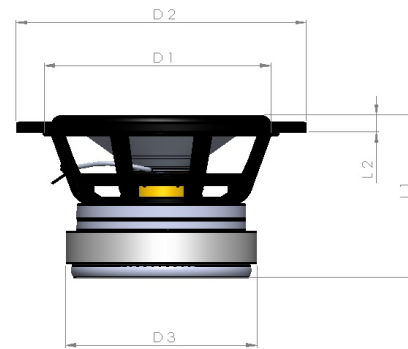
SPL 2,83V/1m	91	dB
---------------------	-----------	-----------

Cone: Composite	Spider: Compound
Surround: foam	Coil former: Aluminium
Basket: Aluminium	Dust cap: Paper
Coil: Aluminium	

* SPL Burst



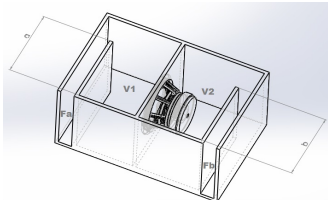
External diameter	315 mm
Installation diameter	280 mm
Installation depth	250 mm
Magnet diameter	230 mm



D1 = 315mm
D2 = 280mm
D3 = 230mm
L1 = 263mm
L2 = 248mm

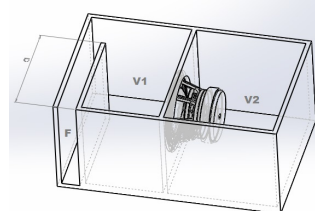
Recommended Boxes (including Ports and Drivers)

Bandpass 6th Order



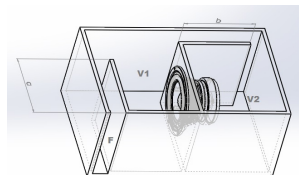
V1 = 75l
V2 = 80l
Fa = 250cm²
Fb = 130 cm²
a = 5 cm
b = 15 cm

Bandpass 4th Order



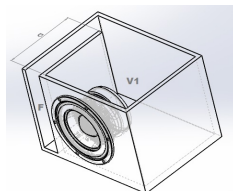
V1 = 80l
V2 = 60l
F = 100 cm²
a = 10 cm

Bandpass 6th Order



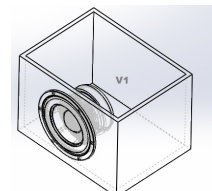
V1 = 75l
V2 = 75l
F = 300cm²
Fb = 120cm²
a = 10cm
b = 15cm

Vented



V1 = 80l
F = 200cm²
a = 40 cm

Sealed



V1 = 60l