

XS8d D2

Speaker Specification

Power	P	800 / 1500*	RMS/SPL
DC resistance	Rdc	1,9 + 1,9	Ω
Nominal impedance	ZN	2,0 +2,0	Ω
Resonance frequency	fs	38	Hz
Voice coil Diameter		2,5	inch
Shipping weight		7,5	kg

Mechanical Q factor	Qms	5,8
Electrical Q factor	Qes	0,48
Total Q factor	Qts	0,44

Moving mass	Mms	99,16	g
Effective cone area	Sd	176	cm ²
Mechanical resistance	Rms	0	Kg/s
Compliance	Cms	0,14	mm/N
Force factor	BL	18,34	Tm
Equivalent air volume	Vas	16,28	dm ³
X max	tot./lin.	54 / 12	mm
Motor weight		4,5 / 160	kg/oz

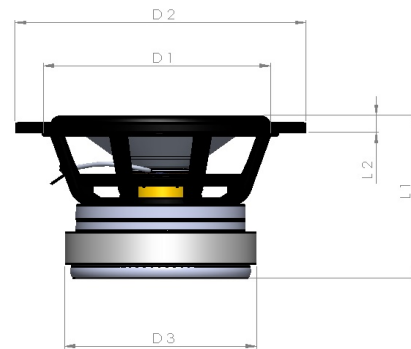
SPL 2,83V/1m	87	dB
--------------	-----------	----

Cone: Paper Kevlar	Spider: Compound
Surround: foarm	Coil former: Aluminium
Basket: Aluminium	Dust cap:Paper
Coil: Kupper	

* only 5 sec.



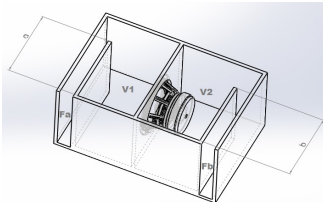
Diameter	
External diameter	213 mm
Installation diameter	188 mm
Installation depth	115 mm
Magnet diameter	156 mm



D1 = 188mm
D2 = 213mm
D3 = 156mm
L1 = 137mm
L2 = 22mm

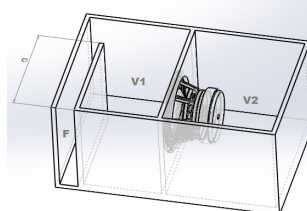
Recommended Boxes (including Ports and Drivers)

Bandpass 6th Order



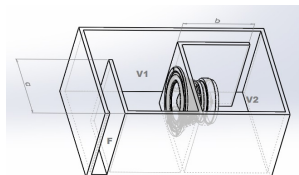
V1 = 20l
V2 = 20l
Fa = 80cm²
Fb = 60 cm²
a = 5 cm
b = 15 cm

Bandpass 4th Order



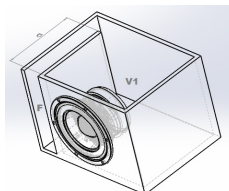
V1 = 18l
V2 = 10l
F = 80 cm²
a = 10 cm

Bandpass 6th Order



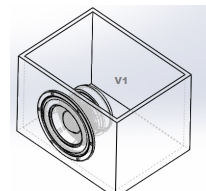
V1 = 12l
V2 = 22l
F = 100cm²
Fb = 50cm²
a = 10cm
b = 15cm

Vented



V1 = 18l
F = 80cm²
a = 40 cm

Sealed



V1 = 10l