

# XS15d D2

## Speaker Specification

Power	P	<b>800 / 1500*</b>	RMS/SPL
DC resistance	Rdc	<b>1,9 + 1,9</b>	Ω
Nominal impedance	ZN	<b>2,0 +2,0</b>	Ω
Resonance frequency	fs	<b>32</b>	Hz
Voice coil Diameter		<b>2,5</b>	inch
Shipping weight		<b>10,5</b>	kg

Mechanical Q factor	Qms	<b>6,37</b>
Electrical Q factor	Qes	<b>0,44</b>
Total Q factor	Qts	<b>0,41</b>

Moving mass	Mms	<b>209</b>	g
Effective cone area	Sd	<b>754</b>	cm <sup>2</sup>
Mechanical resistance	Rms	<b>0</b>	Kg/s
Compliance	Cms	<b>0,13</b>	mm/N
Force factor	BL	<b>19,85</b>	Tm
Equivalent air volume	Vas	<b>84,2</b>	dm <sup>3</sup>
X max	tot./lin.	<b>47 / 17</b>	mm
Motor weight		<b>4,5 / 160</b>	kg/oz

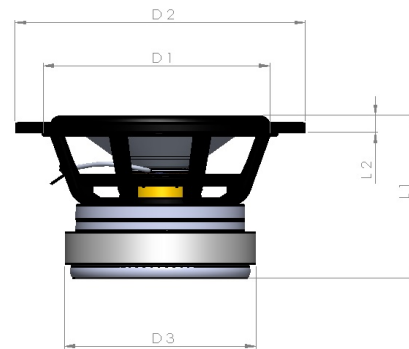
SPL 2,83V/1m	<b>96</b>	dB
--------------	-----------	----

Cone: Paper Kevlar	Spider: Compound
Surround: foam	Coil former: Aluminium
Basket: Aluminium	Dust cap: Paper
Coil: Kupper	

\* only 5 sec.



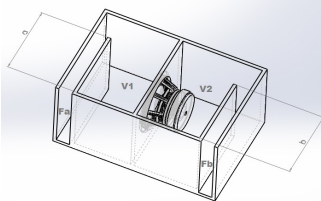
Diameter	
External diameter	389 mm
Installation diameter	358 mm
Installation depth	185 mm
Magnet diameter	156 mm



D1 = 389mm  
 D2 = 358mm  
 D3 = 156mm  
 L1 = 213mm  
 L2 = 28mm

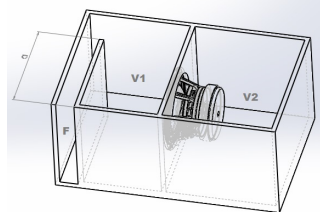
## Recommended Boxes (including Ports and Drivers)

### Bandpass 6th Order



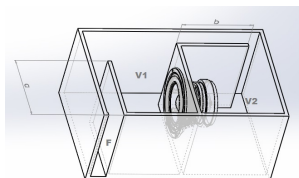
V1 = 60l  
 V2 = 70l  
 Fa = 160cm<sup>2</sup>  
 Fb = 100 cm<sup>2</sup>  
 a = 5 cm  
 b = 15 cm

### Bandpass 4th Order



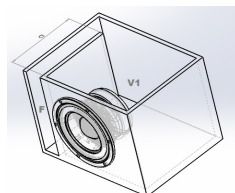
V1 = 65l  
 V2 = 45l  
 F = 160 cm<sup>2</sup>  
 a = 10 cm

### Bandpass 6th Order



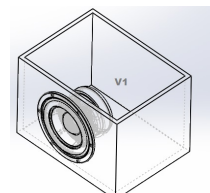
V1 = 45l  
 V2 = 70l  
 F = 250cm<sup>2</sup>  
 Fb = 100cm<sup>2</sup>  
 a = 10cm  
 b = 15cm

### Vented



V1 = 65l  
 F = 160cm<sup>2</sup>  
 a = 35 cm

### Sealed



V1 = 45l