

# X8d D2

## Speaker Specification

Power	P	<b>1000 / 3000*</b>	RMS/SPL
DC resistance	Rdc	<b>1,9 + 1,9</b>	Ω
Nominal impedance	ZN	<b>2,0 + 2,0</b>	Ω
Resonance frequency	fs	<b>37</b>	Hz
Voice coil Diameter		<b>2,5</b>	inch
Shipping weight		<b>8,5</b>	kg

Mechanical Q factor	Qms	<b>6,78</b>
Electrical Q factor	Qes	<b>0,55</b>
Total Q factor	Qts	<b>0,49</b>

Moving mass	Mms	<b>160,17</b>	g
Effective cone area	Sd	<b>176</b>	cm <sup>2</sup>
Mechanical resistance	Rms	<b>0</b>	Kg/s
Compliance	Cms	<b>0,12</b>	mm/N
Force factor	BL	<b>22,61</b>	Tm
Equivalent air volume	Vas	<b>15,98</b>	dm <sup>3</sup>
X max pp	tot./lin.	<b>60 / 35</b>	mm
Motor weight		<b>5,5 / 200</b>	kg/oz

SPL 2,83V/1m	<b>87</b>	dB
--------------	-----------	----

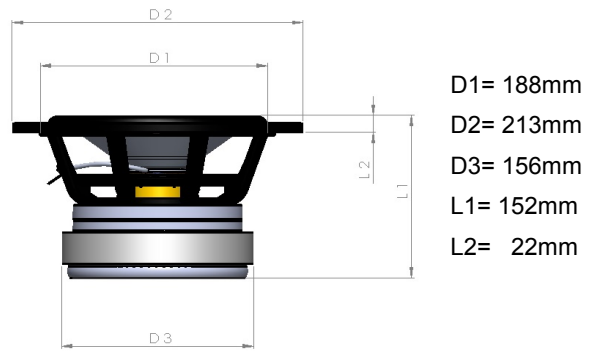
Cone: Paper Kevlar	Spider: Compound
Surround: foarm	Coil former: Aluminium
Basket: Aluminium	Dust cap: Paper
Coil: Copper	

\* only 5 sec.



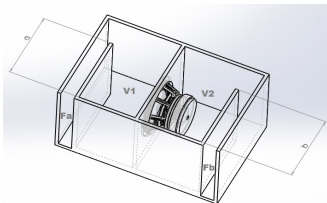
### Diameter

External diameter	213 mm
Installation diameter	156 mm
Installation depth	130 mm
Magnet diameter	156 mm



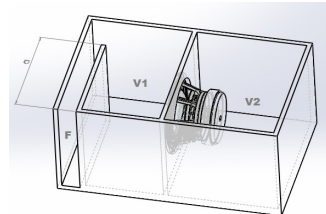
## Recommended Boxes (including Ports and Drivers)

### Bandpass 6th Order



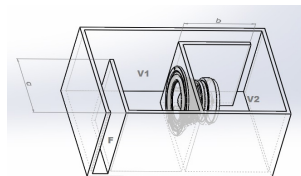
V1 = 20l  
V2 = 20l  
Fa = 100cm<sup>2</sup>  
Fb = 50 cm<sup>2</sup>  
a = 5 cm  
b = 15 cm

### Bandpass 4th Order



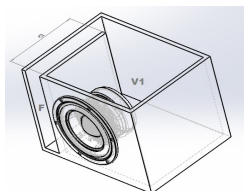
V1 = 18l  
V2 = 10l  
F = 80 cm<sup>2</sup>  
a = 10 cm

### Bandpass 6th Order



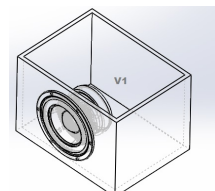
V1 = 12l  
V2 = 22l  
F = 100cm<sup>2</sup>  
Fb = 50cm<sup>2</sup>  
a = 10cm  
b = 15cm

### Vented



V1 = 18l  
F = 80cm<sup>2</sup>  
a = 25 cm

### Sealed



V1 = 10l