

# XXX21d ARMAGEDDON D1

## Speaker Specification

Power	P	8000 / 30000*	RMS/SPL
DC resistance	Rdc	0,9 + 0,9	Ω
Nominal impedance	ZN	1,0 +1,0	Ω
Resonance frequency	fs	31	Hz
Voice coil Diameter		4	inch
Shipping weight		42,5	kg

Mechanical Q factor	Qms	7,26
Electrical Q factor	Qes	0,53
Total Q factor	Qts	0,49

Moving mass	Mms	410,2	g
Effective cone area	Sd	1350	cm <sup>2</sup>
Mechanical resistance	Rms		Kg/s
Compliance	Cms	0,07	mm/N
Force factor	BL	23	Tm
Equivalent air volume	Vas	142,2	dm <sup>3</sup>
X max	tot./lin.	125 / 50	mm
Motor weight		34 / 1200	kg/oz

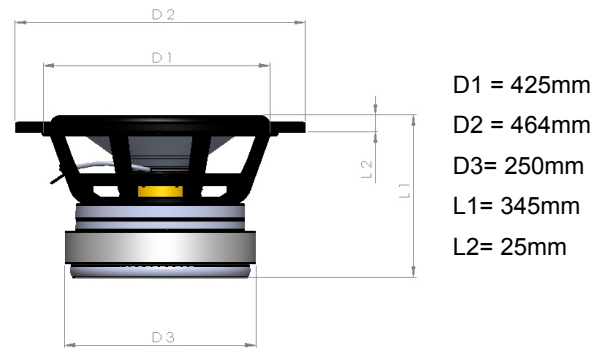
SPL 2,83V/1m	99	dB
--------------	----	----

Cone: Composite	Spider: Compound
Surround: foam	Coil former: Aluminium
Basket: Aluminium	Dust cap: Paper
Coil: Aluminium flat wire	

\* SPL Burst

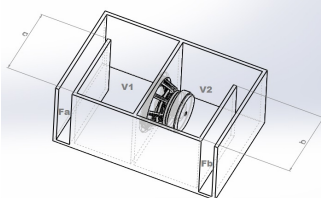


Diameter	
External diameter	540 mm
Installation diameter	490 mm
Installation depth	320mm
Magnet diameter	250 mm



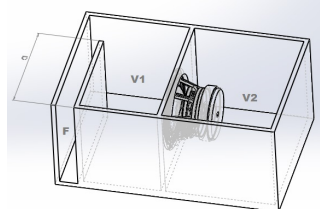
## Recommended Boxes (including Ports and Drivers)

### Bandpass 6th Order



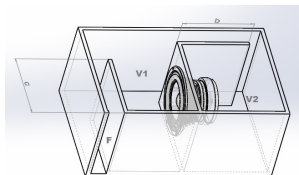
V1 = 125l  
V2 = 150l  
Fa = 350cm<sup>2</sup>  
Fb = 200 cm<sup>2</sup>  
a = 5 cm  
b = 15 cm

### Bandpass 4th Order



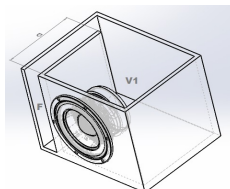
V1 = 150l  
V2 = 100l  
F = 250 cm<sup>2</sup>  
a = 10 cm

### Bandpass 6th Order



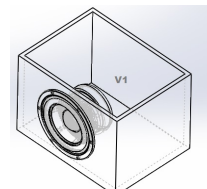
V1 = 150l  
V2 = 150l  
F = 450cm<sup>2</sup>  
Fb = 200cm<sup>2</sup>  
a = 10cm  
b = 15cm

### Vented



V1 = 150l  
F = 350cm<sup>2</sup>  
a = 40 cm

### Sealed



V1 = 100l