

XXX15d ARMAGEDDON D1

Speaker Specification

Power	P	8000/30000*	RMS/SPL
DC resistance	Rdc	0,9 + 0,9	Ω
Nominal impedance	ZN	1,0 + 1,0	Ω
Resonance frequency	fs	35	Hz
Voice coil Diameter		4	inch
Shipping weight		41,9	kg

Mechanical Q factor	Qms	7,01	
Electrical Q factor	Qes	0,54	
Total Q factor	Qts	0,51	

Moving mass	Mms	390,1	g
Effective cone area	Sd	754	cm ²
Mechanical resistance	Rms	0	Kg/s
Compliance	Cms	0,1	mm/N
Force factor	BL	23,09	Tm
Equivalent air volume	Vas	79,1	dm ³
X max	tot./lin.	125 / 50	mm
Motor weight		34 / 1200	kg/oz

SPL 2,83V/1m	95	dB
--------------	----	----

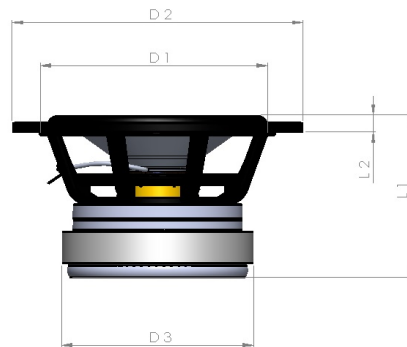
Cone: Composite	Spider: Compound
Surround: foam	Coil former: Aluminium
Basket: Aluminium	Dust cap: Paper
Coil: Aluminium flat Wire	

* SPL Burst



Diameter

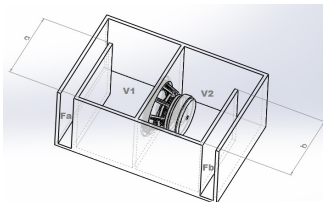
External diameter	389 mm
Installation diameter	358 mm
Installation depth	320 mm
Magnet diameter	250 mm



D1 = 389mm
 D2 = 358mm
 D3 = 250mm
 L1 = 348mm
 L2 = 28mm

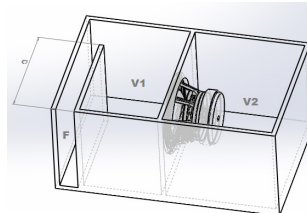
Recommended Boxes (including Ports and Drivers)

Bandpass 6th Order



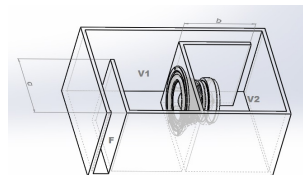
V1 = 110l
 V2 = 120l
 Fa = 250cm²
 Fb = 150 cm²
 a = 5 cm
 b = 15 cm

Bandpass 4th Order



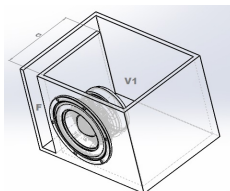
V1 = 120l
 V2 = 75l
 F = 180 cm²
 a = 10 cm

Bandpass 6th Order



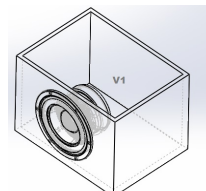
V1 = 110l
 V2 = 110l
 F = 300cm²
 Fb = 150cm²
 a = 10cm
 b = 15cm

Vented



V1 = 120l
 F = 300cm²
 a = 40 cm

Sealed



V1 = 75l