

XXXX21d ARMAGEDDON D1

Speaker Specification

Power	P	5000 / 20000*	RMS/SPL
DC resistance	Rdc	0,9 + 0,9	Ω
Nominal impedance	ZN	1,0 +1,0	Ω
Resonance frequency	fs	31	Hz
Voice coil Diameter		4	inch
Shipping weight		28	kg

Mechanical Q factor	Qms	7,26
Electrical Q factor	Qes	0,5
Total Q factor	Qts	0,48

Moving mass	Mms	310,2	g
Effective cone area	Sd	1350	cm ²
Mechanical resistance	Rms		Kg/s
Compliance	Cms	0,07	mm/N
Force factor	BL	23	Tm
Equivalent air volume	Vas	140	dm ³
X max	tot./lin.	80 / 40	mm
Motor weight		20 / 700	kg/oz

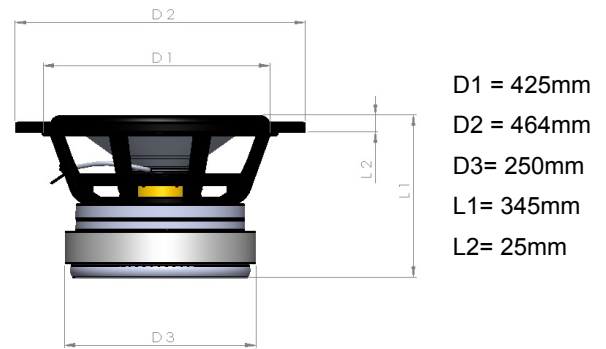
SPL 2,83V/1m	100	dB
--------------	-----	----

Cone: Composite	Spider: Compound
Surround: foam	Coil former: Aluminium
Basket: Aluminium	Dust cap: Paper
Coil: Aluminium flat wire	

* SPL Burst

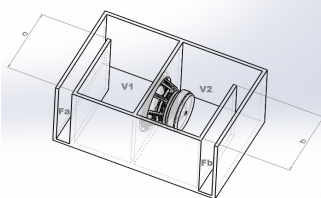


Diameter	
External diameter	540 mm
Installation diameter	490 mm
Installation depth	320mm
Magnet diameter	250 mm



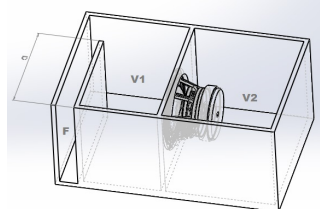
Recommended Boxes (including Ports and Drivers)

Bandpass 6th Order



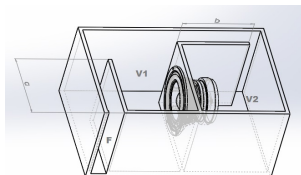
V1 = 125l
V2 = 150l
Fa = 350cm²
Fb = 200 cm²
a = 5 cm
b = 15 cm

Bandpass 4th Order



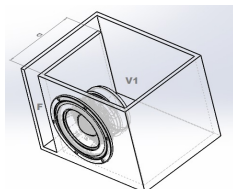
V1 = 150l
V2 = 100l
F = 250 cm²
a = 10 cm

Bandpass 6th Order



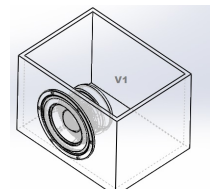
V1 = 150l
V2 = 150l
F = 450cm²
Fb = 200cm²
a = 10cm
b = 15cm

Vented



V1 = 150l
F = 350cm²
a = 40 cm

Sealed



V1 = 100l