

XXXX12d ARMAGEDDON D1

Speaker Specification



Power	P	5000/20000*	RMS/SPL
DC resistance	Rdc	0,9 + 0,9	Ω
Nominal impedance	ZN	1,0 + 1,0	Ω
Resonance frequency	fs	39	Hz
Voice coil Diameter		3,7	inch
Shipping weight		27,5	kg

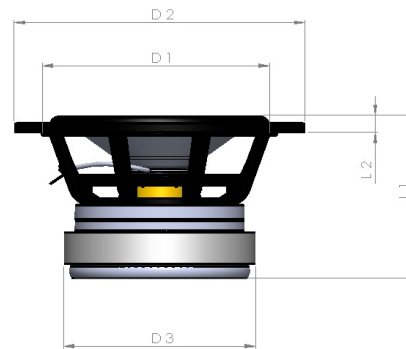
Mechanical Q factor	Qms	7,46	
Electrical Q factor	Qes	0,5	
Total Q factor	Qts	0,47	

Moving mass	Mms	194,7	g
Effective cone area	Sd	430	cm ²
Mechanical resistance	Rms	0	Kg/s
Compliance	Cms	0,1	mm/N
Force factor	BL	27,24	Tm
Equivalent air volume	Vas	48,4	dm ³
X max	tot./lin.	80 / 40	mm
Motor weight	neod.	20 / 700	kg/oz

Diameter	
External diameter	315 mm
Installation diameter	280 mm
Installation depth	221 mm
Magnet diameter	230 mm

SPL 2,83V/1m	92	dB
--------------	----	----

Cone: Composite	Spider: Compound
Surround: foam	Coil former: Aluminium
Basket: Aluminium	Dust cap: Paper
Coil: Aluminium flat wire	

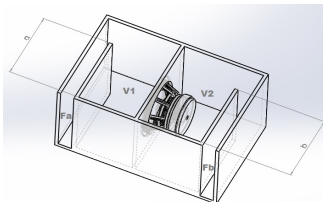


D1 = 315mm
 D2 = 280mm
 D3 = 230mm
 L1 = 213mm
 L2 = 27mm

* SPL Burst

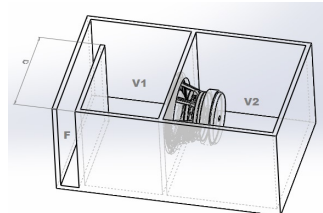
Recommended Boxes (including Ports and Drivers)

Bandpass 6th Order



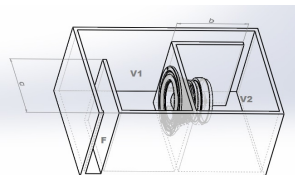
V1 = 75l
 V2 = 80l
 Fa = 250cm²
 Fb = 130 cm²
 a = 5 cm
 b = 15 cm

Bandpass 4th Order



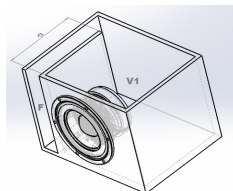
V1 = 80l
 V2 = 60l
 F = 100 cm²
 a = 10 cm

Bandpass 6th Order



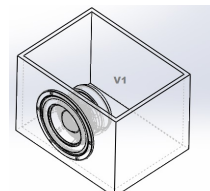
V1 = 75l
 V2 = 75l
 F = 300cm²
 Fb = 120cm²
 a = 10cm
 b = 15cm

Vented



V1 = 80l
 F = 200cm²
 a = 40 cm

Sealed



V1 = 60l