



Kove Audio
Ettenbergstr.16
75392 Deckenpronn
Germany
information@kove.de
www.kove.eu



POWER CLASS D CAR AMPLIFIERS

Street one

Street big one

User's Manual

PRODUCT SPECIFICATIONS

Street one

RMS/MAX@ 4 Ohm (<1% DISTORTION)	400/800W
RMS/MAX@ 2 Ohm (<1% DISTORTION)	600/1200W
RMS/MAX@ 1 Ohm (<1% DISTORTION).....	1000/2000W
Input Level	0.2 ~ 5V
Frequency Response	8 ~ 180Hz
LPF	40 ~ 180Hz
SUBSONIC Filter	5 ~ 50Hz
Bass Boost Frequency	30 ~ 80Hz
Bass Boost Level	0 ~ 12dB
Signal Noise Ratio	>70dB
Best Efficiency	>85%
Bridgeable with Same Amplifier	YES
Overload Protect System	YES
Short Circuit Test (max. power)	PASS
Overheat Protect Temperature	80°C/176°F
Components & PCB	SMT & Double Side
Dimensions	266x165x54

Street big one

RMS/MAX@ 4 Ohm (<1% DISTORTION).....	1000/2000W
RMS/MAX@ 2 Ohm (<1% DISTORTION),.....	1500/3000W
RMS/MAX@ 1 Ohm (<1% DISTORTION),.....	2250/4500W
Input Level.....	0.2 ~ 5V
Frequency Response.....	8 ~ 180Hz
LPF.....	40 ~ 180Hz
SUBSONIC Filter.....	5 ~ 50Hz
Bass Boost Frequency.....	30 ~ 80Hz
Bass Boost Level	0 ~ 12dB
Signal Noise Ratio.....	>70dB
Best Efficiency.....	>85%
Bridgeable with Same Amplifier.....	YES
Overload Protect System.....	YES
Short Circuit Test (max. power).....	PASS
Overheat Protect Temperature.....	80°C/176°F
Components & PCB	SMT & Double Side
Dimensions.....	416.5x165x54

TROUBLESHOOTING

Problem

Run indicator doesn't light up.

Solution

- Check all fuses on the amplifier.
- Check main fuse near the battery.
- Check plus and minus battery cables.
- Check remote voltage.

Problem

Run indicator is on but no sound.

Solution

- Check volume control on the radio.
- Check GAIN regulator on the amplifier.
- Check RCA cables and connections.
- Check speaker cables and connections.

Problem

Bass response is low.

Solution

- One speaker cable could be disconnected the bass control on the radio is set on low an active cross over is adjusted wrong.

Problem

The amplifier switches on and off.

Solution

- Bad chassis ground connection with amplifier cable terminals and battery terminals are oxidized low voltage from the battery remote wire is connected wrong.

For additional questions please contact your authorized **Kove Audio** dealer.

INTRODUCTION

Congratulations on purchasing your **Kove Audio** Class D amplifier for your car audio system. Please read this manual thoroughly to ensure proper installation of your new amplifier for maximum performance.

- 1 Ohm load stable.
- Double side FR-4 PCB, high quality SMT components.
- Full MOSFET circuit design.
- Subsonic adjustable.
- Low pass filter adjustable.
- Bass boost frequency and level adjustable.
- Phase adjustable.
- Overload, short circuit, thermal, low voltage protection.
- Easy bridging operation.
- Remote bass level control.

TABLE OF CONTENTS

Amplifier Functions 2

Pre Installation 3

Wiring Configuration 5

Troubleshooting12

Product Specifications 13

PRE INSTALLATION

We recommend to have the installation done by an authorized **Kove Audio** Dealer. Required power, ground wire and proper external fuse as below:

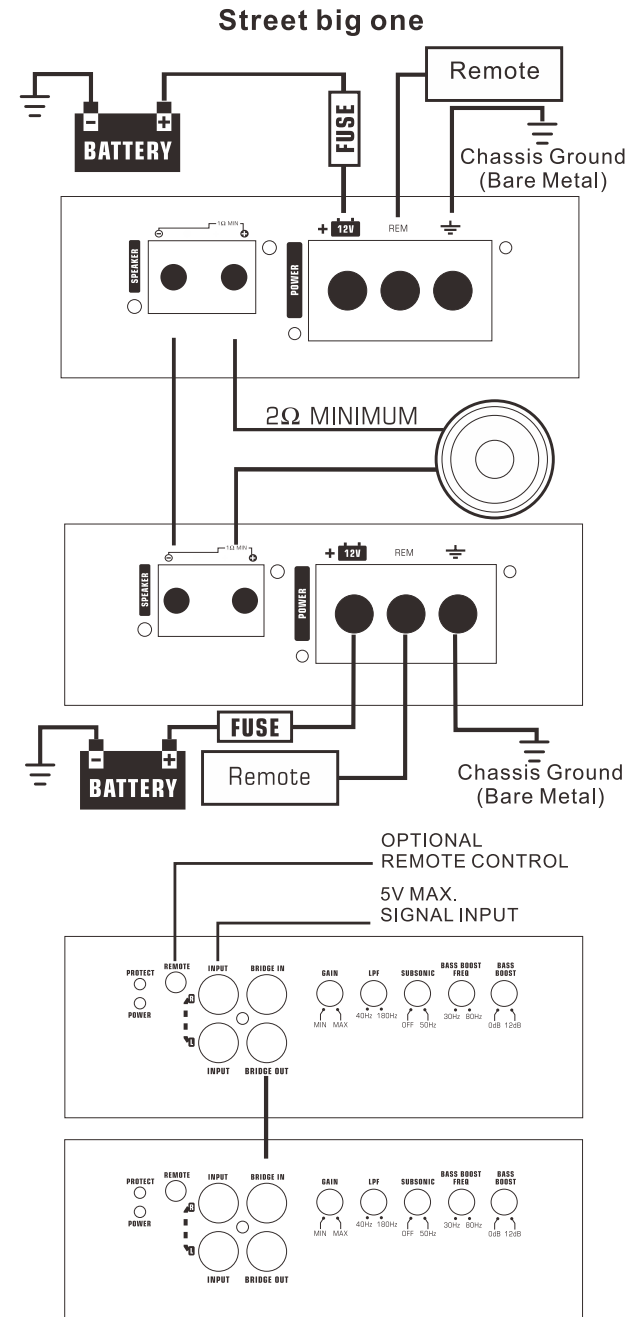
Model	Fuse	Wire
Street one	80 AMP	20mm ²
Street big one	150 AMP	35 - 50 mm ²

We recommend a fuse should be installed away 0.2m from the battery. The ground wire should be connected directly with the chassis of your vehicle which should be metal to metal ground point connection. The amplifier must be mounted securely at a solid, dry and low vibration surface in the trunk or passenger area. Fix the amplifier in an open air area to insure proper heat dissipation. Fix the amplifier in a place where can access easily to set the input controllers. Install all amplifier cables as far as possible from car electrical cables such as the car ignition cable.

IMPORTANT:

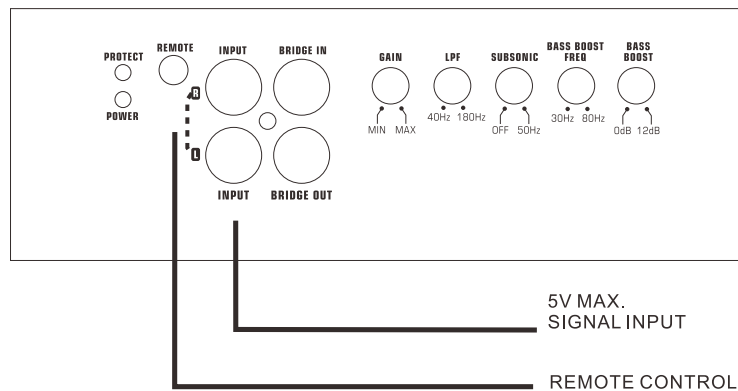
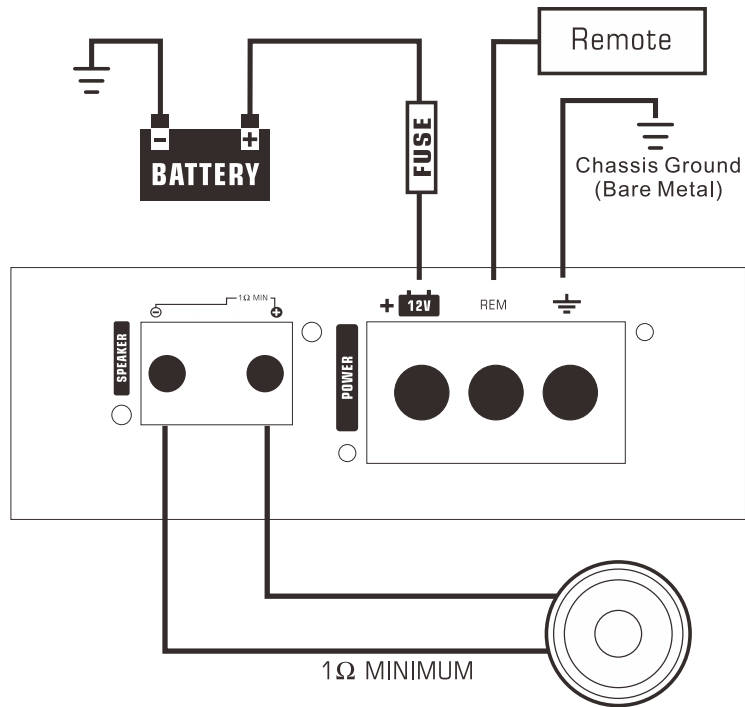
- When bridging two amplifiers please refer the bridging wiring chart.
- When bridging two amplifiers you should use same model amplifiers.
- Please make sure the negative speaker terminal of two amplifiers are connected by the same gauge cables as the positive terminal being used.
- DO NOT connect any signal cables with the input RCA jacks when bridged as slave unit.
- The LPF, Input level and remote functions will be disabled on slave amplifier when bridged.
- All the functions of the slave amplifier will be adjusted by the master amplifier.

TWO AMPLIFIER LINKED TO ONE CHANNEL



ONE SPEAKER MONO

Street big one



AMPLIFIER FUNCTIONS

Bass Boost Frequency

Adjust the boosted center frequency. The frequency can be adjusted from 0Hz to 80Hz, use combine with bass boost level adjusting.

Bass Boost Level

Adjust the boosted frequency from 0 ~ 12dB.

Battery + 12V Input

Battery + terminal. The +12 Volt power cable must be connected with a fuse in line near the battery + terminal. Please see the table of cable and fuse selection.

Bridge In

This RCA jack receives signal from the master amplifier when this amplifier is bridged as slave. DO NOT use input jacks when the amplifier is working as slave. All the functions will be adjusted by the master amplifier.

Bridge Out

This RCA output sendout bridge signal to another same Class D amplifier in bridging configuration.

Gain Control

Gain control regulates the sensitivity of the amplifier to match the signal output voltage of your source unit. The gain control is not a volume adjustment. Use high quality CD music and increase the volume of your source unit to 75% posit, set the gain at the minimum and then increase gain slowly (clockwise). Stop at the first sign of distortion, then lower the gain a little (counter clockwise) to achieve clear undistorted music at the maximum level.

Ground Input

Chassis ground terminal. The chassis ground cable must be connected very tight on a nearby massive and electric conductive place.

Low Pass Filter

Filter out high frequency that the woofer can't play. Adjust this knob to match the woofer's frequency response.

Power LED Indicator

This LED will light up when amplifier work properly, it will flash or shut down once amplifier in self-testing or malfunction.

Protection LED Indicator

When this LED light up, the amplifier may in self-test mode (when power up) or malfunction. Shut down the amplifier immediately and find the reason before power up amplifier again.

RCA Audio Input

These RCA audio inputs connect with your radio RCA outputs. Please use car audio RCA cables, otherwise it may be disturbed. Keep these cables as short as possible. To avoid disturbances from your car electronics, please don't close the existing car cables when you install the RCA cables. If your radio has only one set output, please use a suitable Y-RCA adaptor. If your radio has only speaker output, you must use a HIGH LOW LEVEL adaptor.

Remote Bass Level Control

When using the remote bass level control you can adjust volume in the driver seat.

Remote Turn-On Input

Remote terminal. The remote cable must be connected with the radio remote terminal so that the amplifier will switch on and off automatically with the radio.

If there are two or more amplifiers installed together, it might be necessary to add an additional relay. Please consult your dealer.

Speaker Connection

Never connect the speaker cables with the chassis ground. This may destroy your amplifier. Check that your speakers are connected correctly which means plus to plus and minus to minus.

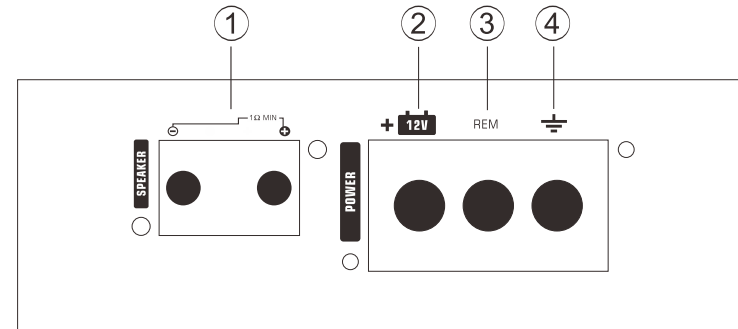
We recommend speaker cable from 2.5mm² to up. The connection ways are shown in the attachment.

SUBSONIC

Filter out unwanted too low frequency. This function will increase the power handing of your woofer's. It can adjust the frequency filter from, 10Hz (OFF) to 50Hz.

POWER AND INPUT CONNECTIONS

Street big one

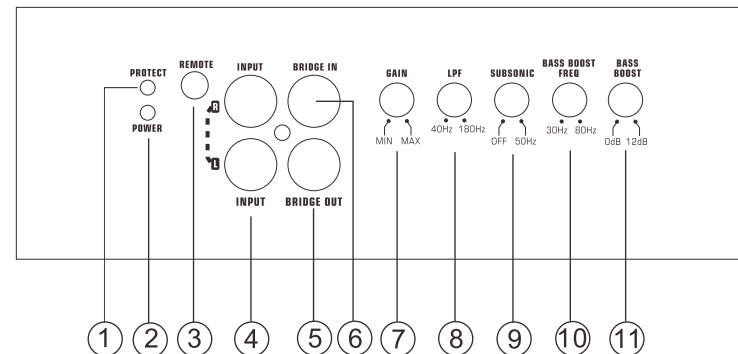


1.Speaker Connection

3.Remote Turn-on Input

2.Battery +12V Input

4.Ground Input



1.Protection LED Indicator

7. Gain Control

2.Power on LED Indicator

8. Low Pass Filter Control

3.Remote Bass Level Control

9. Subsonic Filter

4.RCA Input Jacks

10.Bass Boost Frequency Control

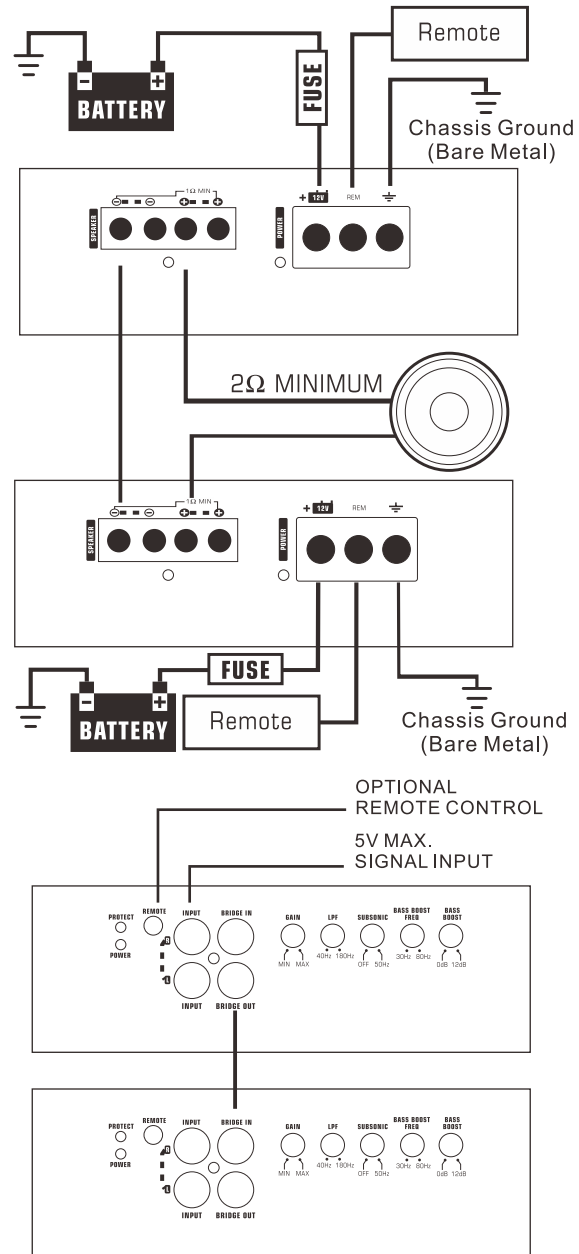
5.Bridge Output

11.Bass Boost Level

6.Bridge Input

TWO AMPLIFIER LINKED TO ONE CHANNEL

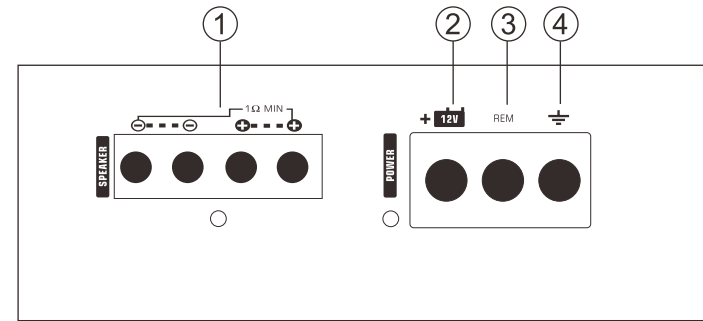
Street one



WIRING CONFIGURATION

POWER AND INPUT CONNECTIONS

Street one

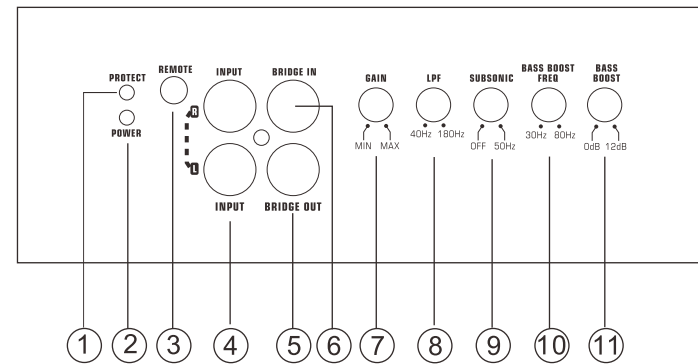


1.Speaker Connection

3.Remote Turn-on Input

2.Battery +12V Input

4.Ground Input



1.Protection LED Indicator

7. Gain Control

2.Power on LED Indicator

8. Low Pass Filter Control

3.Remote Bass Level Control

9. Subsonic Filter

4.RCA Input Jacks

10.Bass Boost Frequency Control

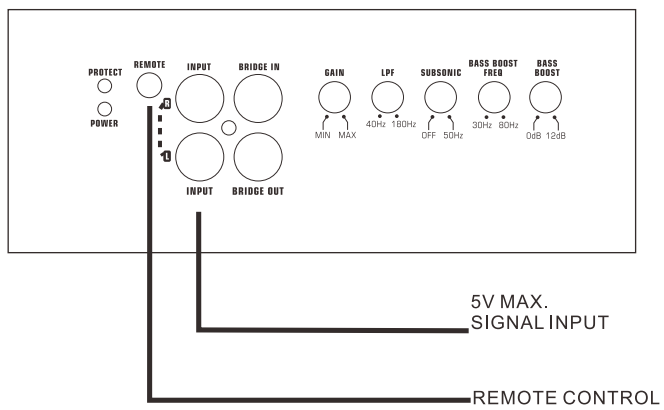
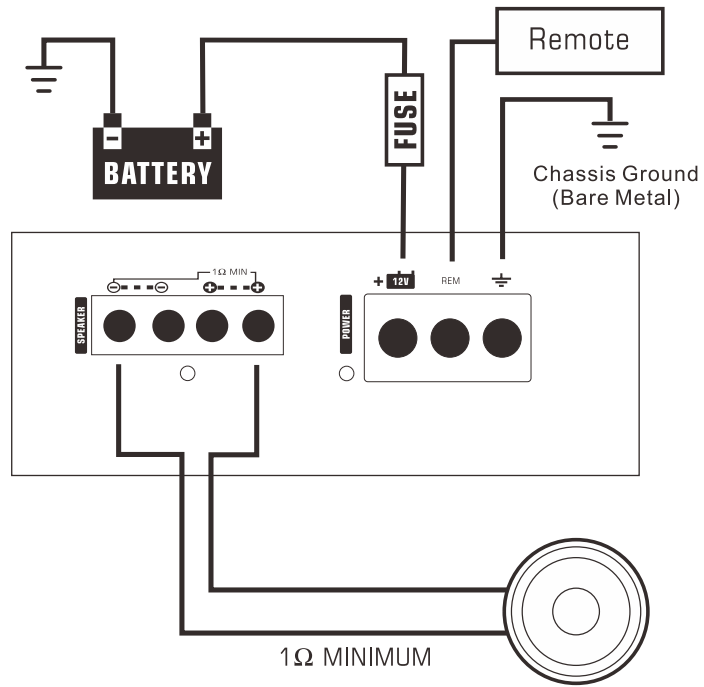
5.Bridge Output

11.Bass Boost Level

6.Bridge Input

ONE SPEAKER MONO

Street one



TWO SPEAKER MONO

Street one

