

XXX18 ARMAGEDDON D1

Speaker Specification

Power	P	2500/25000*	RMS/SPL
DC resistance	Rdc	0,9 + 0,9	Ω
Nominal impedance	ZN	1,0 + 1,0	Ω
Resonance frequency	fs	27,5	Hz
Voice coil Diameter		3	inch
Shipping weight		42,5	kg

Mechanical Q factor	Qms	5,19
Electrical Q factor	Qes	0,53
Total Q factor	Qts	0,48

Moving mass	Mms	445,8	g
Effective cone area	Sd	1134	cm ²
Mechanical resistance	Rms	0	Kg/s
Compliance	Cms	0,1	mm/N
Force factor	BL	20,05	Tm
Equivalent air volume	Vas	156,2	dm ³
X max	tot./lin.	100 / 40	mm
Magnet weight		16,5 / 580	kg/oz

SPL 2,83V/1m	97	dB
--------------	-----------	----

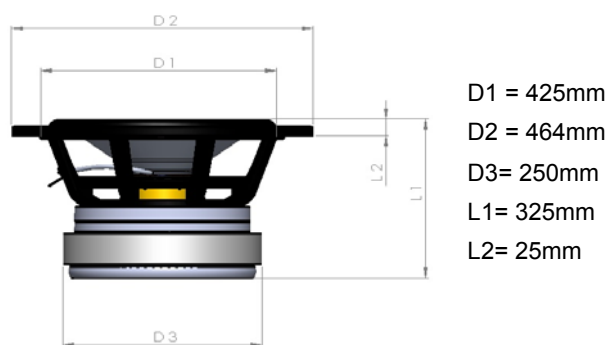
Cone: Paper Kevlar Spider: Compound
 Surround: foam Coil former: Aluminium
 Basket: Aluminium Dust cap: Paper
 Coil: Aluminium flat Wire

* only 5 sec. In special tuned Box



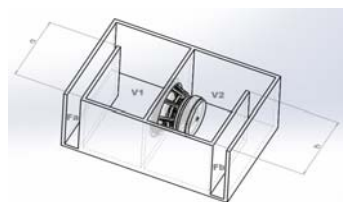
Diameter

External diameter	446 mm
Installation diameter	425 mm
Installation depth	310mm
Magnet diameter	250mm



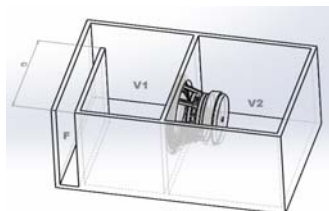
Recommended Boxes (including Ports and Drivers)

Bandpass 6th Order



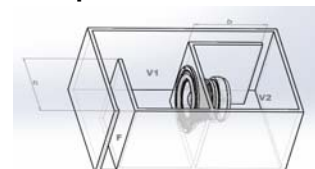
V1 = 120l
 V2 = 135l
 Fa = 400cm²
 Fb = 250 cm²
 a = 5 cm
 b = 15 cm

Bandpass 4th Order



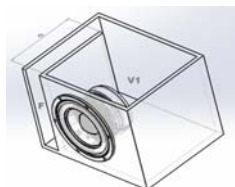
V1 = 145l
 V2 = 90l
 F = 300 cm²
 a = 10 cm

Bandpass 6th Order



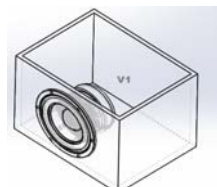
V1 = 135l
 V2 = 135l
 F = 500cm²
 Fb = 250cm²
 a = 10cm
 b = 15cm

Vented



V1 = 145l
 F = 350cm²
 a = 40 cm

Sealed



V1 = 90l