

X8 ARMAGEDDON D1

Speaker Specification

Power	P	1300 / 6000*	RMS/SPL
DC resistance	Rdc	0,95 + 0,95	Ω
Nominal impedance	ZN	1,0 +1,0	Ω
Resonance frequency	fs	41,8	Hz
Voice coil Diameter		2,5	inch
Shipping weight		16,7	kg

Mechanical Q factor	Qms	4,3
Electrical Q factor	Qes	0,52
Total Q factor	Qts	0,47

Moving mass	Mms	119,1	g
Effective cone area	Sd	176	cm ²
Mechanical resistance	Rms	0	Kg/s
Compliance	Cms	0,13	mm/N
Force factor	BL	17,88	Tm
Equivalent air volume	Vas	16,05	dm ³
X max	tot./lin.	60 / 40	mm
Magnet weight		6,5 / 230	kg/oz

SPL 2,83V/1m	88	dB
--------------	----	----

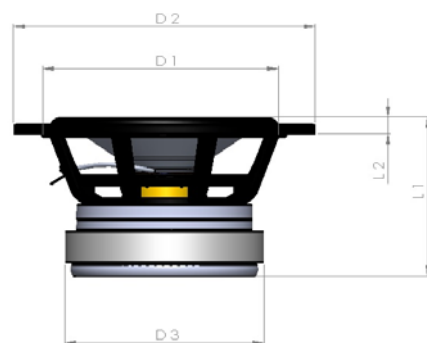
Cone: Paper Kevlar Spider: Compound
 Surround: foam Coil former: Aluminium
 Basket: Aluminium Dust cap: Paper
 Coil: Aluminium Flat wire

* only 5 sec.



Diameter

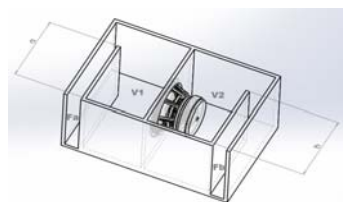
External diameter	213 mm
Installation diameter	188 mm
Installation depth	160 mm
Magnet diameter	180 mm



D1 = 188mm
 D2 = 213mm
 D3 = 180mm
 L1 = 182mm
 L2 = 22mm

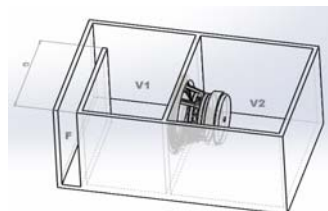
Recommended Boxes (including Ports and Drivers)

Bandpass 6th Order



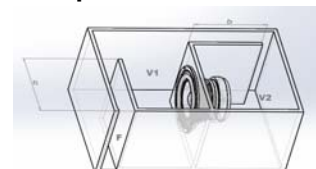
V1 = 35l
 V2 = 35l
 Fa = 100cm²
 Fb = 60 cm²
 a = 5 cm
 b = 15 cm

Bandpass 4th Order



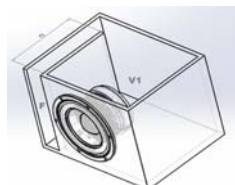
V1 = 35l
 V2 = 25l
 F = 80 cm²
 a = 10 cm

Bandpass 6th Order



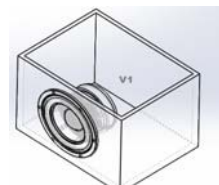
V1 = 37l
 V2 = 32l
 F = 150cm²
 Fb = 60cm²
 a = 10cm
 b = 15cm

Vented



V1 = 39l
 F = 100cm²
 a = 40 cm

Sealed



V1 = 29l