

X10 ARMAGEDDON D2

Speaker Specification

Power	P	1300 / 5000*	RMS/SPL
DC resistance	Rdc	1,9 + 1,9	Ω
Nominal impedance	ZN	2,0 +2,0	Ω
Resonance frequency	fs	40,8	Hz
Voice coil Diameter		2,5	inch
Shipping weight		17,2	kg

Mechanical Q factor	Qms	4,53
Electrical Q factor	Qes	0,54
Total Q factor	Qts	0,50

Moving mass	Mms	133,4	g
Effective cone area	Sd	283	cm ²
Mechanical resistance	Rms	0	Kg/s
Compliance	Cms	0,11	mm/N
Force factor	BL	16,05	Tm
Equivalent air volume	Vas	29,7	dm ³
X max	tot./lin.	80 / 40	mm
Magnet weight		6,5 / 230	kg/oz

SPL 2,83V/1m	89	dB
--------------	-----------	----

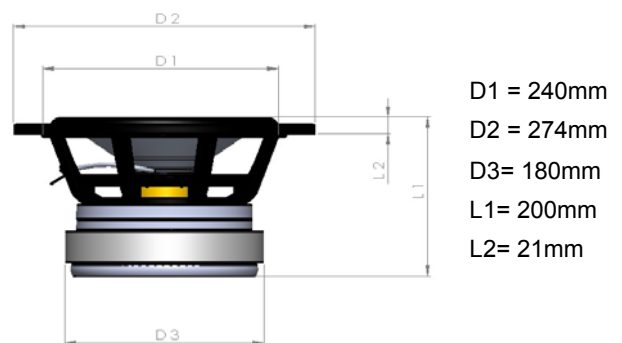
Cone: Paper Kevlar Spider: Compound
 Surround: foam Coil former: Aluminium
 Basket: Aluminium Dust cap: Paper
 Coil: Aluminium Flat wire

* only 5 sec.



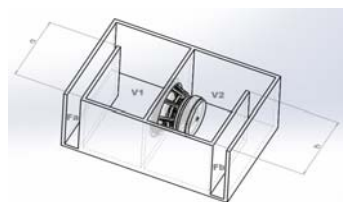
Diameter

External diameter	273 mm
Installation diameter	240 mm
Installation depth	179 mm
Magnet diameter	180 mm



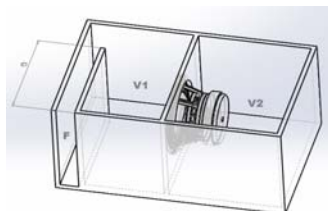
Recommended Boxes (including Ports and Drivers)

Bandpass 6th Order



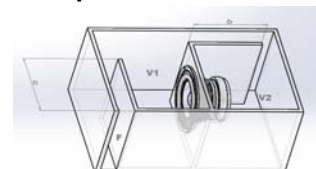
V1 = 50l
 V2 = 50l
 Fa = 130cm²
 Fb = 80 cm²
 a = 5 cm
 b = 15 cm

Bandpass 4th Order



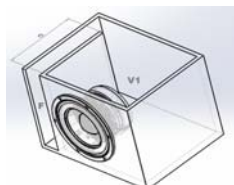
V1 = 50l
 V2 = 30l
 F = 100 cm²
 a = 10 cm

Bandpass 6th Order



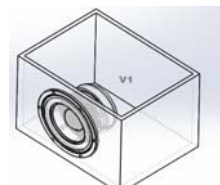
V1 = 50l
 V2 = 45l
 F = 180cm²
 Fb = 80cm²
 a = 10cm
 b = 15cm

Vented



V1 = 50l
 F = 120cm²
 a = 40 cm

Sealed



V1 = 35l