

XX18 ARMAGEDDON D1

Speaker Specification

Power	P	2000/15000*	RMS/SPL
DC resistance	Rdc	0,9 + 0,9	Ω
Nominal impedance	ZN	1,0 + 1,0	Ω
Resonance frequency	fs	28,2	Hz
Voice coil Diameter		3	inch
Shipping weight		35,5	kg

Mechanical Q factor	Qms	5,29	
Electrical Q factor	Qes	0,52	
Total Q factor	Qts	0,47	

Moving mass	Mms	412,6	g
Effective cone area	Sd	1134	cm ²
Mechanical resistance	Rms	0	Kg/s
Compliance	Cms	0,1	mm/N
Force factor	BL	19,02	Tm
Equivalent air volume	Vas	148,2	dm ³
X max	tot./lin.	90 / 30	mm
Magnet weight		12,4 / 440	kg/oz

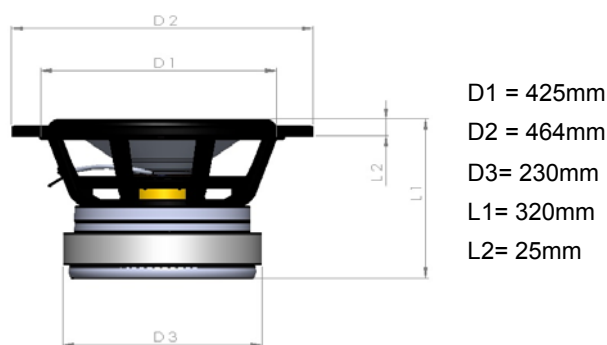
SPL 2,83V/1m	96	dB
--------------	----	----

Cone: Paper Kevlar	Spider: Compound
Surround: foam	Coil former: Aluminium
Basket: Aluminium	Dust cap: Paper
Coil: Aluminium flat Wire	

* only 5 sec. In special tuned Box

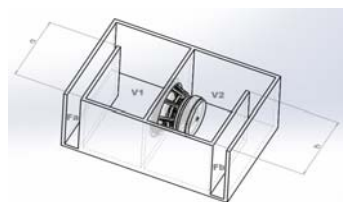


Diameter	
External diameter	446 mm
Installation diameter	425 mm
Installation depth	305mm
Magnet diameter	230 mm



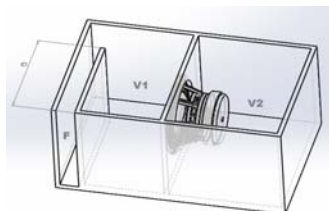
Recommended Boxes (including Ports and Drivers)

Bandpass 6th Order



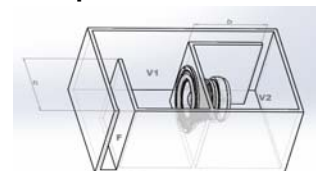
V1 = 120l
V2 = 135l
Fa = 400cm²
Fb = 250 cm²
a = 5 cm
b = 15 cm

Bandpass 4th Order



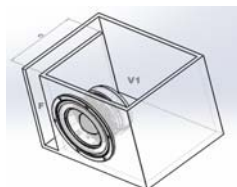
V1 = 145l
V2 = 90l
F = 300 cm²
a = 10 cm

Bandpass 6th Order



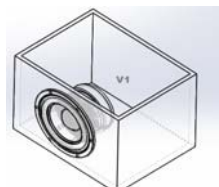
V1 = 135l
V2 = 135l
F = 500cm²
Fb = 250cm²
a = 10cm
b = 15cm

Vented



V1 = 145l
F = 350cm²
a = 40 cm

Sealed



V1 = 90l