

XX10 ARMAGEDDON D2

Speaker Specification

Power	P	2000/12000*	RMS/SPL
DC resistance	Rdc	1,9 + 1,9	Ω
Nominal impedance	ZN	2,0 +2,0	Ω
Resonance frequency	fs	40,7	Hz
Voice coil Diameter		3	inch
Shipping weight		33,9	kg

Mechanical Q factor	Qms	5,1	
Electrical Q factor	Qes	0,46	
Total Q factor	Qts	0,42	

Moving mass	Mms	205,4	g
Effective cone area	Sd	283	cm ²
Mechanical resistance	Rms	0	Kg/s
Compliance	Cms	0,08	mm/N
Force factor	BL	19,35	Tm
Equivalent air volume	Vas	30,2	dm ³
X max	tot./lin.	80 / 30	mm
Magnet weight		12,4 / 440	kg/oz

SPL 2,83V/1m	89	dB
--------------	----	----

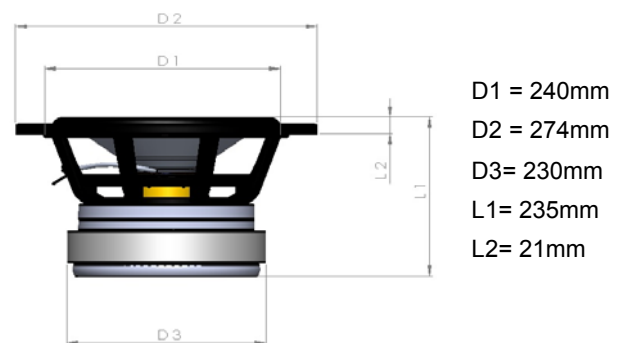
Cone: Paper Kevlar Spider: Compound
 Surround: foam Coil former: Aluminium
 Basket: Aluminium Dust cap: Paper
 Coil: Aluminium Flat wire

* only 5 sec. In special tuned Box.



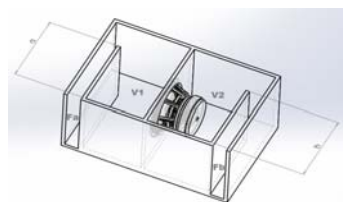
Diameter

External diameter	273 mm
Installation diameter	240 mm
Installation depth	214 mm
Magnet diameter	230 mm



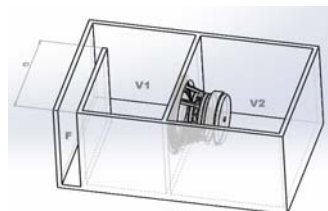
Recommended Boxes (including Ports and Drivers)

Bandpass 6th Order



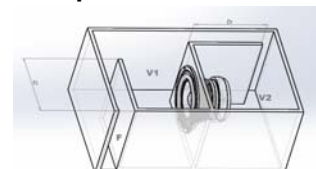
V1 = 60l
 V2 = 60l
 Fa = 150cm²
 Fb = 100 cm²
 a = 5 cm
 b = 15 cm

Bandpass 4th Order



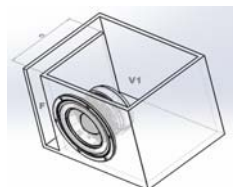
V1 = 60l
 V2 = 40l
 F = 120 cm²
 a = 10 cm

Bandpass 6th Order



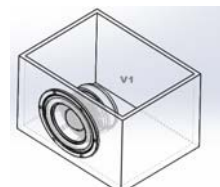
V1 = 60l
 V2 = 55l
 F = 200cm²
 Fb = 100cm²
 a = 10cm
 b = 15cm

Vented



V1 = 60l
 F = 150cm²
 a = 40 cm

Sealed



V1 = 45l