

XS18 D2

Speaker Specification

Power	P	500 / 1000*	RMS/SPL
DC resistance	Rdc	1,9 + 1,9	Ω
Nominal impedance	ZN	2,0 +2,0	Ω
Resonance frequency	fs	29,4	Hz
Voice coil Diameter		2,5	inch
Shipping weight		11,5	kg

Mechanical Q factor	Qms	6,41
Electrical Q factor	Qes	0,4
Total Q factor	Qts	0,38

Moving mass	Mms	315,1	g
Effective cone area	Sd	1134	cm ²
Mechanical resistance	Rms	0	Kg/s
Compliance	Cms	0,14	mm/N
Force factor	BL	12,62	Tm
Equivalent air volume	Vas	84,2	dm ³
X max	tot./lin.	54 / 12	mm
Magnet weight		1,7 / 60	kg/oz

SPL 2,83V/1m	94	dB
--------------	-----------	----

Cone: Paper Kevlar
 Surround: foam
 Basket: Aluminium
 Coil: Kupper

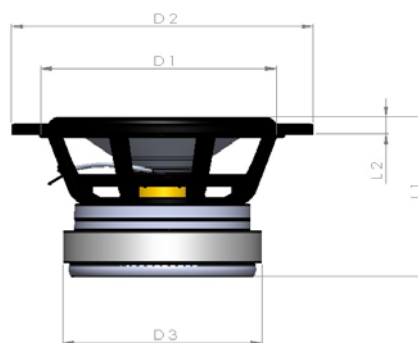
Spider: Compound
 Coil former: Aluminium
 Dust cap: Paper

* only 5 sec.



Diameter

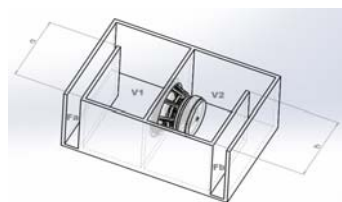
External diameter	446 mm
Installation diameter	425 mm
Installation depth	235 mm
Magnet diameter	150 mm



D1 = 425mm
 D2 = 464mm
 D3 = 180mm
 L1 = 260mm
 L2 = 25mm

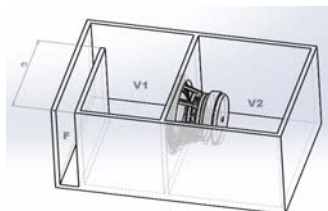
Recommended Boxes (including Ports and Drivers)

Bandpass 6th Order



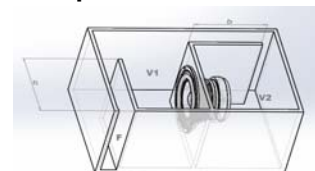
V1 = 110l
 V2 = 125l
 Fa = 350cm²
 Fb = 200 cm²
 a = 5 cm
 b = 15 cm

Bandpass 4th Order



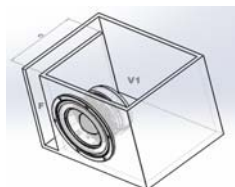
V1 = 135l
 V2 = 80l
 F = 250 cm²
 a = 10 cm

Bandpass 6th Order



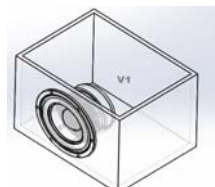
V1 = 125l
 V2 = 125l
 F = 450cm²
 Fb = 200cm²
 a = 10cm
 b = 15cm

Vented



V1 = 135l
 F = 350cm²
 a = 40 cm

Sealed



V1 = 80l