

# XS12 D2

## Speaker Specification

Power	P	<b>500 / 1000*</b>	RMS/SPL
DC resistance	Rdc	<b>1,9 + 1,9</b>	Ω
Nominal impedance	ZN	<b>2,0 +2,0</b>	Ω
Resonance frequency	fs	<b>37,6</b>	Hz
Voice coil Diameter		<b>2,5</b>	inch
Shipping weight		<b>9,5</b>	kg

Mechanical Q factor	Qms	<b>6,24</b>
Electrical Q factor	Qes	<b>0,48</b>
Total Q factor	Qts	<b>0,46</b>

Moving mass	Mms	<b>145,8</b>	g
Effective cone area	Sd	<b>430</b>	cm <sup>2</sup>
Mechanical resistance	Rms	<b>0</b>	Kg/s
Compliance	Cms	<b>0,13</b>	mm/N
Force factor	BL	<b>15,95</b>	Tm
Equivalent air volume	Vas	<b>49,3</b>	dm <sup>3</sup>
X max	tot./lin.	<b>54 / 12</b>	mm
Magnet weight		<b>1,7 / 60</b>	kg/oz

SPL 2,83V/1m	<b>89</b>	dB
--------------	-----------	----

Cone: Paper Kevlar  
 Surround: foam  
 Basket: Aluminium  
 Coil: Kupper

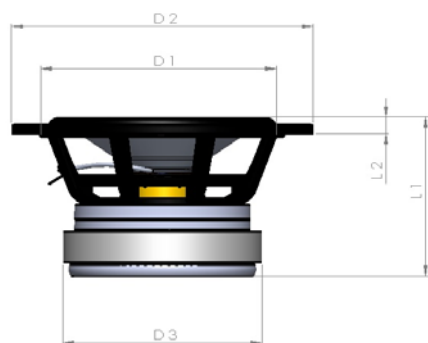
Spider: Compound  
 Coil former: Aluminium  
 Dust cap: Paper

\* only 5 sec.



### Diameter

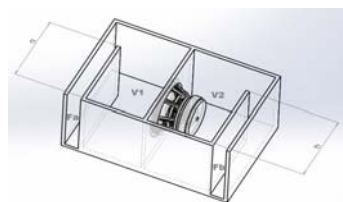
External diameter	315 mm
Installation diameter	280 mm
Installation depth	151 mm
Magnet diameter	150 mm



D1 = 315mm  
 D2 = 280mm  
 D3 = 150mm  
 L1 = 178mm  
 L2 = 27mm

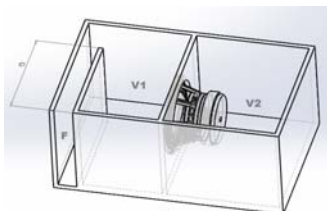
## Recommended Boxes (including Ports and Drivers)

### Bandpass 6th Order



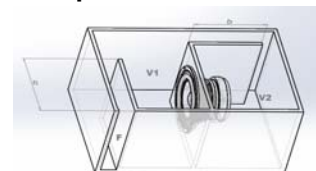
V1 = 65l  
 V2 = 70l  
 Fa = 150cm<sup>2</sup>  
 Fb = 100 cm<sup>2</sup>  
 a = 5 cm  
 b = 15 cm

### Bandpass 4th Order



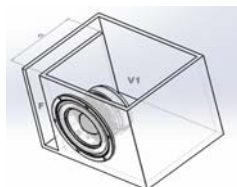
V1 = 65l  
 V2 = 45l  
 F = 100 cm<sup>2</sup>  
 a = 10 cm

### Bandpass 6th Order



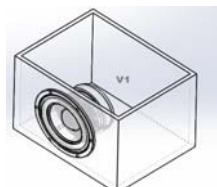
V1 = 65l  
 V2 = 65l  
 F = 180cm<sup>2</sup>  
 Fb = 80cm<sup>2</sup>  
 a = 10cm  
 b = 15cm

### Vented



V1 = 70l  
 F = 120cm<sup>2</sup>  
 a = 40 cm

### Sealed



V1 = 45l