

XS10 D2

Speaker Specification

Power	P	500 / 1000*	RMS/SPL
DC resistance	Rdc	1,9 + 1,9	Ω
Nominal impedance	ZN	2,0 +2,0	Ω
Resonance frequency	fs	38,8	Hz
Voice coil Diameter		2,5	inch
Shipping weight		8,5	kg

Mechanical Q factor	Qms	6,08	
Electrical Q factor	Qes	0,45	
Total Q factor	Qts	0,42	

Moving mass	Mms	115,1	g
Effective cone area	Sd	283	cm ²
Mechanical resistance	Rms	0	Kg/s
Compliance	Cms	0,14	mm/N
Force factor	BL	16,17	Tm
Equivalent air volume	Vas	29,3	dm ³
X max	tot./lin.	54 / 12	mm
Magnet weight		1,7 / 60	kg/oz

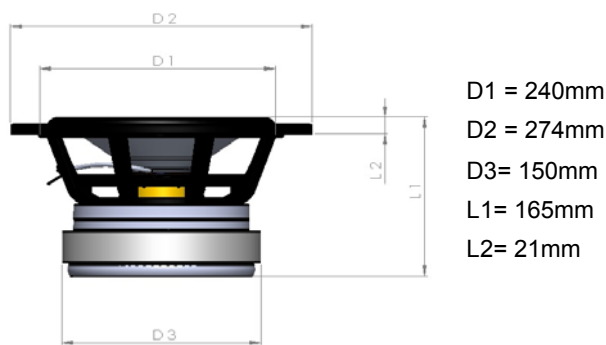
SPL 2,83V/1m	88	dB
--------------	-----------	----

Cone: Paper Kevlar	Spider: Compound
Surround: foam	Coil former: Aluminium
Basket: Aluminium	Dust cap: Paper
Coil: Kupper	

* only 5 sec.

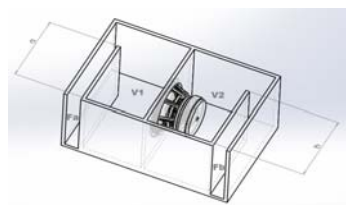


Diameter	
External diameter	273 mm
Installation diameter	240 mm
Installation depth	144 mm
Magnet diameter	150 mm



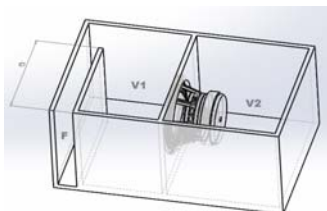
Recommended Boxes (including Ports and Drivers)

Bandpass 6th Order



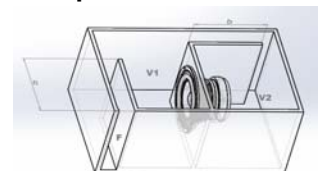
V1 = 50l
 V2 = 50l
 Fa = 130cm²
 Fb = 80 cm²
 a = 5 cm
 b = 15 cm

Bandpass 4th Order



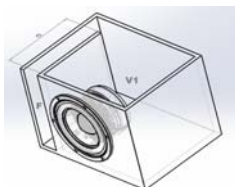
V1 = 50l
 V2 = 30l
 F = 100 cm²
 a = 10 cm

Bandpass 6th Order



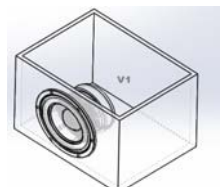
V1 = 50l
 V2 = 45l
 F = 180cm²
 Fb = 80cm²
 a = 10cm
 b = 15cm

Vented



V1 = 50l
 F = 120cm²
 a = 40 cm

Sealed



V1 = 35l