

XXX12 ARMAGEDDON D1

Speaker Specification

Power	P	2500/25000*	RMS/SPL
DC resistance	Rdc	0,9 + 0,9	Ω
Nominal impedance	ZN	1,0 + 1,0	Ω
Resonance frequency	fs	43	Hz
Voice coil Diameter		3	inch
Shipping weight		41	kg

Mechanical Q factor	Qms	5,21	
Electrical Q factor	Qes	0,55	
Total Q factor	Qts	0,50	

Moving mass	Mms	275,8	g
Effective cone area	Sd	430	cm ²
Mechanical resistance	Rms	0	Kg/s
Compliance	Cms	0,1	mm/N
Force factor	BL	20,04	Tm
Equivalent air volume	Vas	59,08	dm ³
X max	tot./lin.	80 / 40	mm
Magnet weight		16,5 / 580	kg/oz

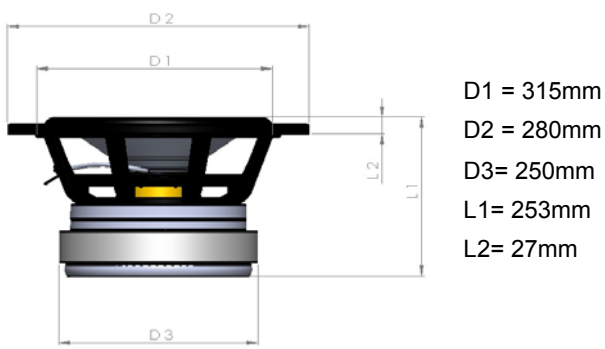
SPL 2,83V/1m	92	dB
--------------	-----------	----

Cone: Paper Kevlar	Spider: Compound
Surround: foam	Coil former: Aluminium
Basket: Aluminium	Dust cap: Paper
Coil: Aluminium flat Wire	

* only 5 sec. In special tuned Box

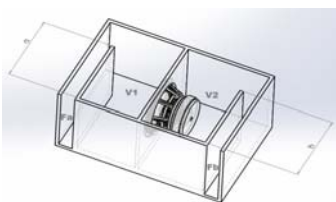


Diameter	
External diameter	315 mm
Installation diameter	280 mm
Installation depth	226 mm
Magnet diameter	250 mm



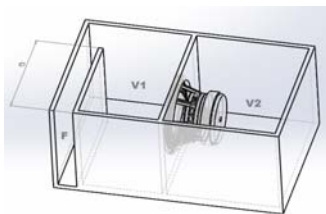
Recommended Boxes (including Ports and Drivers)

Bandpass 6th Order



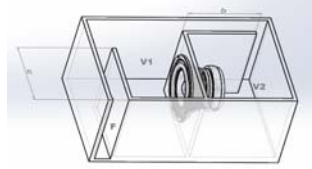
V1 = 80l
V2 = 85l
Fa = 250cm²
Fb = 130 cm²
a = 5 cm
b = 15 cm

Bandpass 4th Order



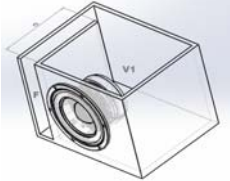
V1 = 85l
V2 = 65l
F = 100 cm²
a = 10 cm

Bandpass 6th Order



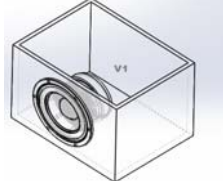
V1 = 80l
V2 = 80l
F = 300cm²
Fb = 120cm²
a = 10cm
b = 15cm

Vented



V1 = 85l
F = 200cm²
a = 40 cm

Sealed



V1 = 65l