

# XXXX18 ARMAGEDDON D1

## Speaker Specification

Power	P	<b>2500/25000*</b>	RMS/SPL
DC resistance	Rdc	<b>0,9 + 0,9</b>	$\Omega$
Nominal impedance	ZN	<b>1,0 + 1,0</b>	$\Omega$
Resonance frequency	fs	<b>28,1</b>	Hz
Voice coil Diameter		<b>3</b>	inch
Shipping weight		<b>29</b>	kg

Mechanical Q factor	Qms	<b>5,22</b>
Electrical Q factor	Qes	<b>0,52</b>
Total Q factor	Qts	<b>0,47</b>

Moving mass	Mms	<b>412,4</b>	g
Effective cone area	Sd	<b>1134</b>	cm <sup>2</sup>
Mechanical resistance	Rms	<b>0</b>	Kg/s
Compliance	Cms	<b>0,1</b>	mm/N
Force factor	BL	<b>19,72</b>	Tm
Equivalent air volume	Vas	<b>152,1</b>	dm <sup>3</sup>
X max	tot./lin.	<b>100 / 40</b>	mm
Magnet weight		<b>4 / 140</b>	kg/oz

SPL 2,83V/1m	<b>98</b>	dB
--------------	-----------	----

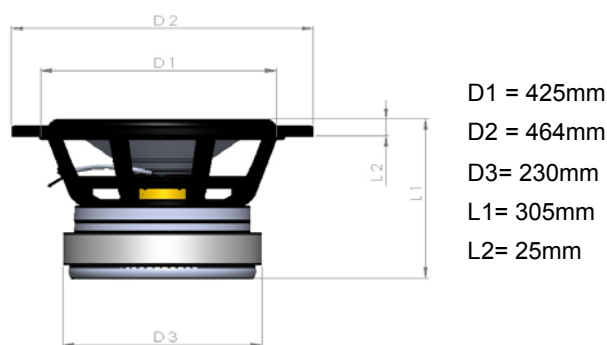
Cone: Paper Kevlar	Spider: Compound
Surround: foam	Coil former: Aluminium
Basket: Aluminium	Dust cap: Paper
Coil: Aluminium flat Wire	

\* only 5 sec. In special tuned Box



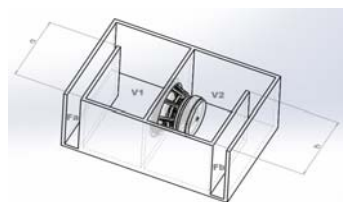
### Diameter

External diameter	446 mm
Installation diameter	425 mm
Installation depth	290mm
Magnet diameter	230 mm



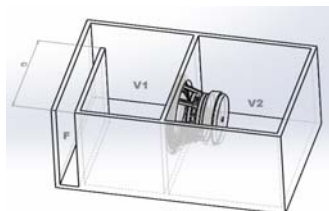
## Recommended Boxes (including Ports and Drivers)

### Bandpass 6th Order



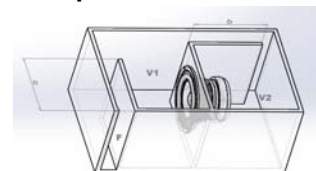
V1 = 120l  
V2 = 135l  
Fa = 400cm<sup>2</sup>  
Fb = 250 cm<sup>2</sup>  
a = 5 cm  
b = 15 cm

### Bandpass 4th Order



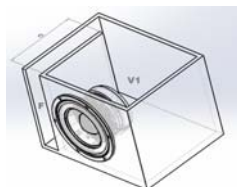
V1 = 145l  
V2 = 90l  
F = 300 cm<sup>2</sup>  
a = 10 cm

### Bandpass 6th Order



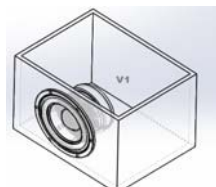
V1 = 135l  
V2 = 135l  
F = 500cm<sup>2</sup>  
Fb = 250cm<sup>2</sup>  
a = 10cm  
b = 15cm

### Vented



V1 = 145l  
F = 350cm<sup>2</sup>  
a = 40 cm

### Sealed



V1 = 90l